

VERTICLOSE-RAIL: INSTALLATION INSTRUCTION

① Package content

1. VTC Top Cover
2. DIN 0912IM8x60
3. VTC Top Axis
4. Gear cover
5. VTC Assembly Slide
6. VTC Rail with covers
7. VTC Tension Key
8. Din0911 S5 Allen Key
9. VTC Lociwrench 6mm
10. Shear bolt
11. Quick-Fix Expander
12. VTC / VTC Bolt Cap Ø14
13. Drilling Templates

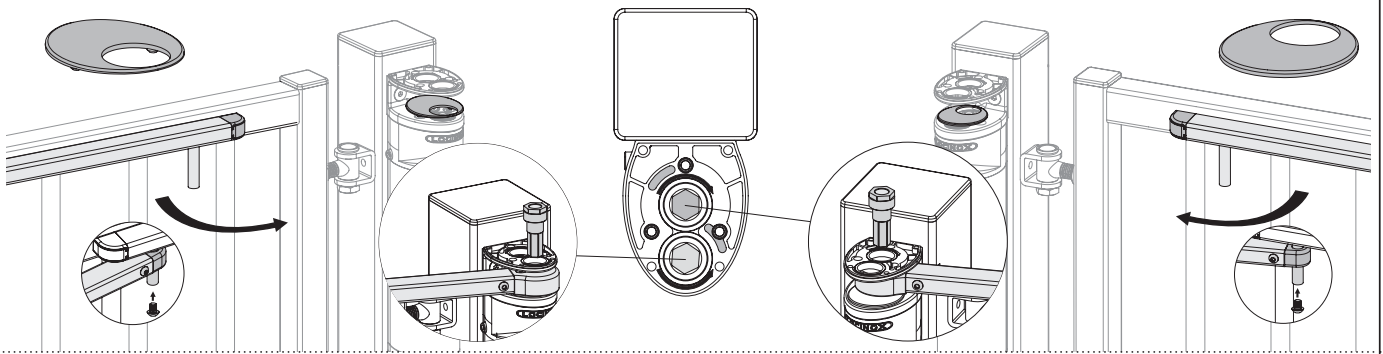
② Mounting situation

③ Drilling template

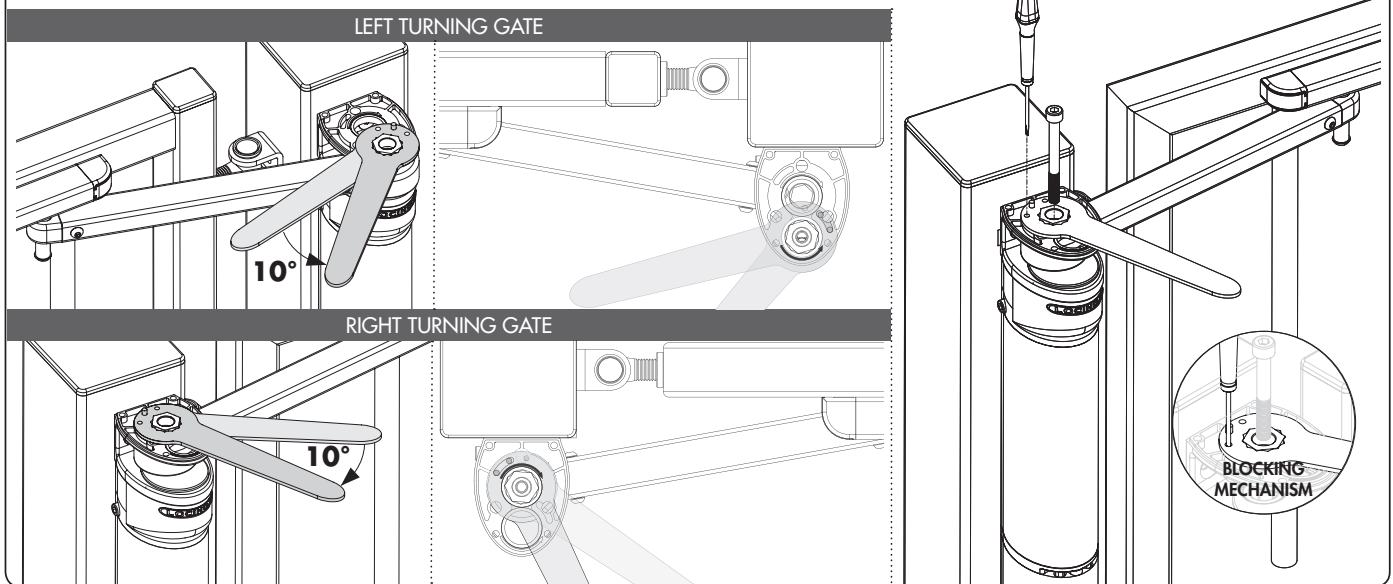
④ Gate closer installation

Top View

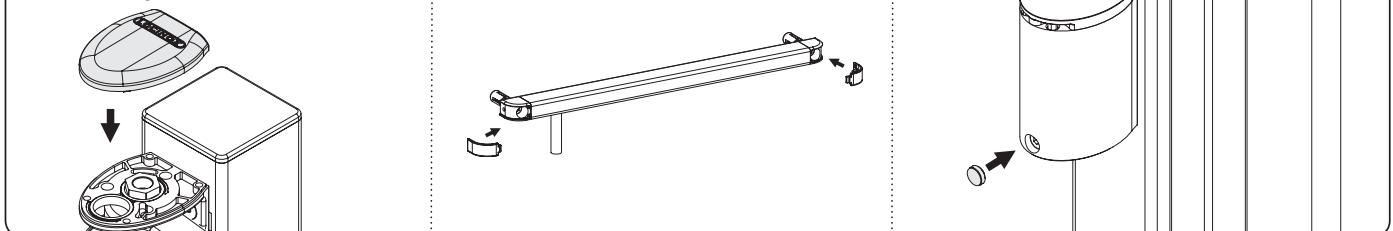
⑤ Gear cover and Assembly slide Installation



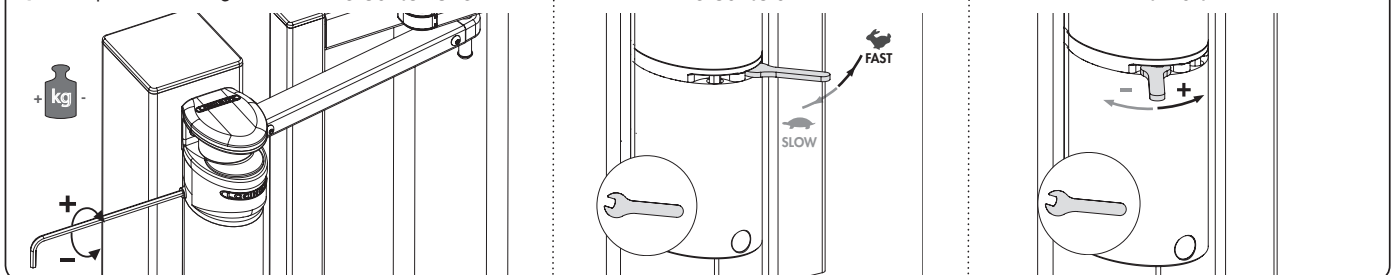
⑥ Pre-Tension



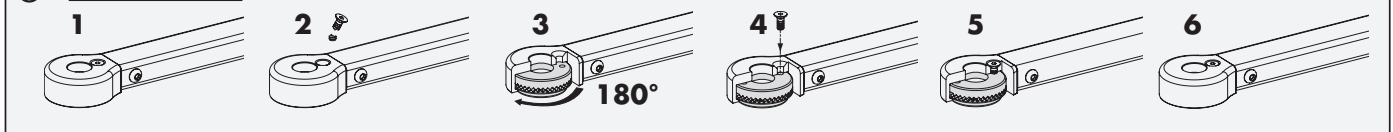
⑦ Finalising the installation



⑧ Adjustment settings



⑨ In case of overload



LOCINOX®

Let's make better fences together

Doc. Nr.:
MANU-000217

Locinox nv • Mannebeekstraat 21
B-8790 Waregem • Belgium • Europe
Tel. +32 (0)56 77 27 66 • Fax. +32 (0)56 77 69 26
E-mail: locinox@locinox.com



* M A N U - 0 0 0 2 1 7 *

info@stedaparts.nl
www.stedaparts.nl

STEDA PARTS
WEBSHOP VOOR BEVEILIGINGSPRODUCTEN