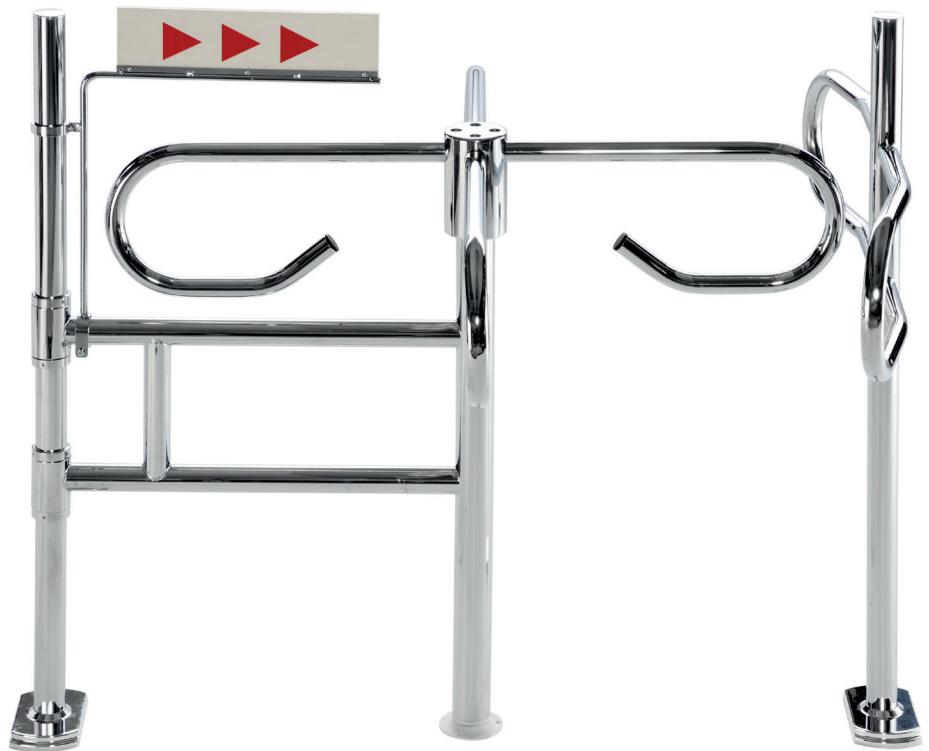




TurnOGate

Four-arm turnstile

TurnOGate_EN_2017_R1



Description

It is the oldest and easiest access control system.
It is safe, efficient and cheap.

With the unidirectional rotation of the arms it allows the passage of one person in one direction at a time.

It is still extremely effective and it is entirely made of chrome-plated steel. The device for the passage of carts can be added on request and it is available in different dimensions.

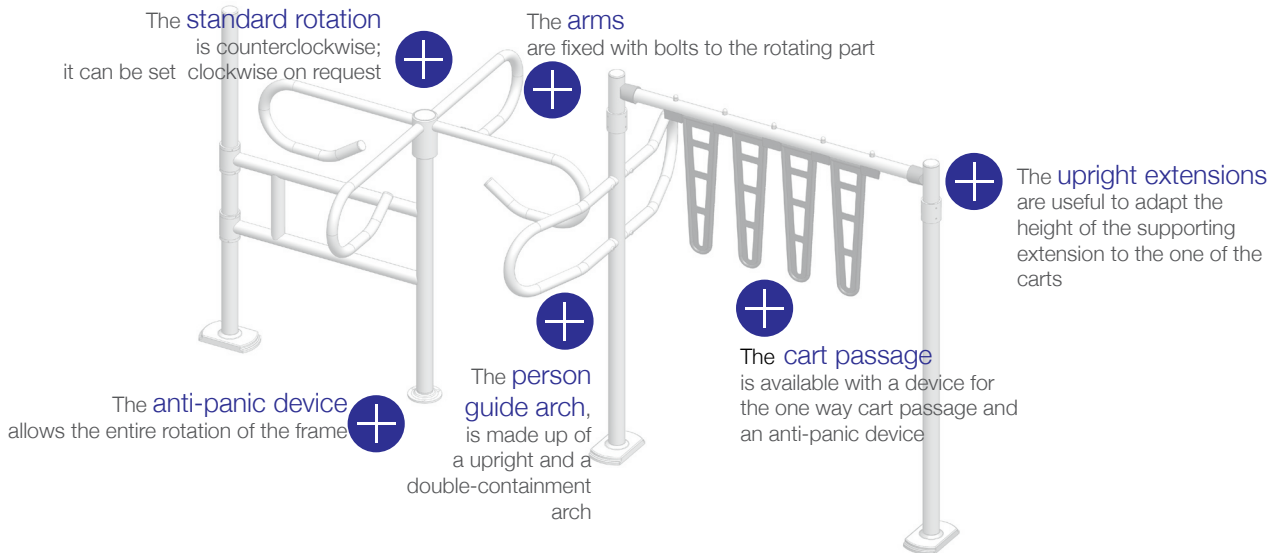
This turnstile is easy to install and it does not require the work of specialised technicians. It always guarantees a fast installation without the need for an electrical or construction configuration.

The basic kit is made up of the frame, the upright axis with the unidirectional rotation and the supporting metal ring.

CHROME-PLATED STEEL

Areas of use

- Hypermarkets
- Supermarkets
- Discounts
- DIY stores
- Garden Centers
- Sport facilities
- Gyms
- Museums

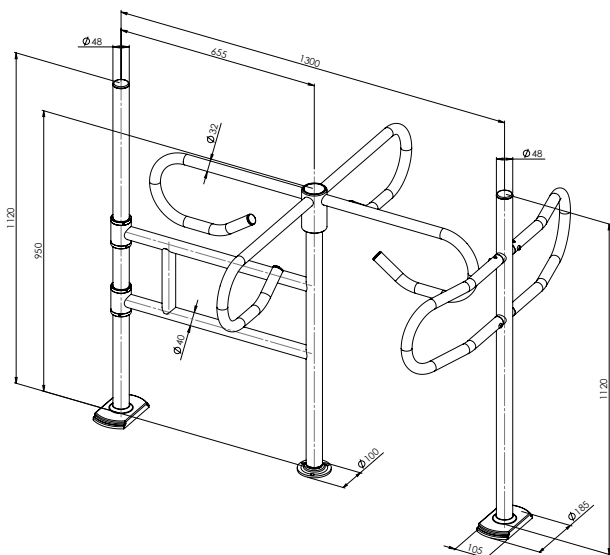


technical specifications

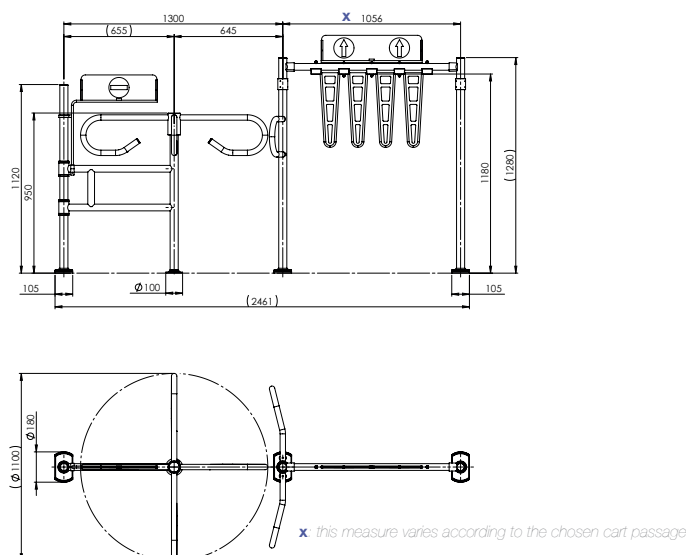
The turnstile's installation does NOT require a connection to the electrical grid.

Dimensions are expressed in mm

Dimensions



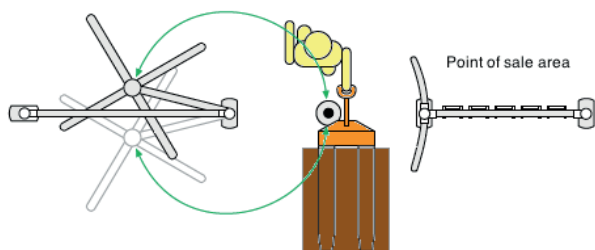
Front and top view



Service device

To allow the passage of pallets and other bulky objects it is possible to lift the turnstile and rotate it as shown in the picture. This requires an adequately foreseen operating space as indicated in the picture.

The device integrated in the turnstile's basis ensures that no damage is done to the floor.

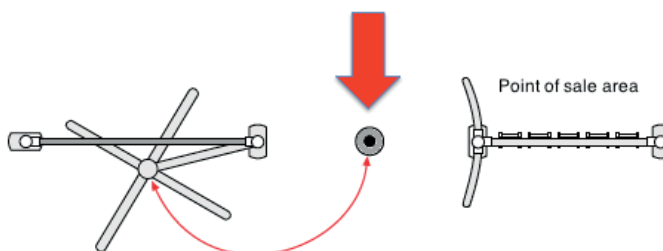


The turnstile's anti-panic device

By pushing the turnstile's rotating part it is possible to forcibly unhook the turnstile itself from the fixing support on the floor, without lifting the turnstile, and allowing it to rotate in the exit direction as shown in the picture. This requires an adequately foreseen operating space as demonstrated in the picture.



Warning: It is the client's responsibility to identify and evaluate the use of the product as an emergency exit in compliance with the current norms and regulations which can be applied.



Cart passage anti-panic device

By pushing the superior bar of the cart passage it is possible to force the unhook from the fixing support, allowing it to rotate in the exit direction as indicated in the picture. This requires an adequately foreseen operating space as demonstrated in the picture.



Warning: It is the client's responsibility to identify and evaluate the use of the product as an emergency exit in compliance with the current norms and regulations which can be applied.



Features

Drive	Push mechanism
Rotation	Unidirectional (it can be modified on the spot)
Weight	15 kg
IP rating	IP 31

Materials

Frame, head, arms:	Polished chrome-plated steel
Uprights and bars	Polished chrome-plated steel
Sign plate (*)	Frosted white acrylic

(*) Optional

Operation

The turnstile has a manual push mechanism.

The rotation is unidirectional.

The turnstile is integrated with an anti-panic device and a safety device as above mentioned.

Note: The clockwise or counterclockwise rotation can be defined during the installation process and can be varied with a few simple manual operations or asking our maintenance service for information at: service@e-co.us.

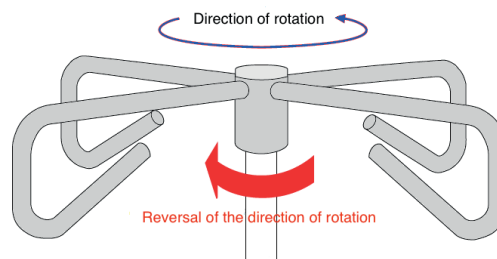
Safety device

If the turnstile receives a 100 N·m push in the opposite direction compared to the foreseen one, the rotation is inverted. After a 90° rotation the turnstile goes back to its normal operation.

This prevents people potentially stuck in the turnstile from getting injured.



Warning: It is the client's responsibility to identify and evaluate the use of the product as an emergency exit in compliance with the current norms and regulations which can be applied.



Accessories

Standard cart passage with 4, 6 or 8 black or RAL 7035 plastic flaps

Cart passage with an anti-panic device and 4 black plastic flaps

One way device with black, RAL 7035 or RAL 7005 plastic flaps

Upright extensions

Guide arch

The turnstile's indication signal

The cart passage's indication signal

Important

All foreseen horizontal pipelines for the passing through of cables positioned under the basis of the swing gate, and the usual components of an access control system must be positioned at least 150 mm deep. If there are any metal ducts in the laying tracks they must be positioned in line with the ends of the swing gate.

It is the client's responsibility to ensure that ECo products are managed and maintained in compliance with the layout, the connections and the features defined during the installation.

The dimensions indicated in this datasheet are approximate. To correctly install the product we suggest to contact our customer care service at the following e-mail address: service@e-co.us

ECO

Zwei S.r.l.
via per Rogeno, 19
23845 Costa Masnaga (LC)
Tel. +39.031.879125
Fax. +39.031.8570484

www.e-co.us

info @e-co.us
sales @e-co.us
service @e-co.us