

over 40 years of turnstiles: always the simplest and most effective

A bit of space, about two and half meters, is sufficient to create, with little cost, a good access control system in your store.

Turnstiles once were and still are the most economical and rational method, in situations where the economic aspect defines technical choices.

Complete with lateral passage for different sized carts and with sign plates, equipped with a double safety system: the first permits, when necessary, reversed direction rotation, by simply applying a force of about 140 Nw/m on the arms; the second allows rotation of the entire turnstile frame on the support upright axis, thus permitting the

transit of persons (emergency) or objects (utility) through the passageway created.

To increase the level of safety while using these systems, we have introduced an additional device which, through a mechanical release, allows the bar for the shopping carts to rotate. By rotating on the axis of one of the supporting posts, this bar makes the entire width of the cart passageway free and available for transit by people and objects.



what is an ECo turnstile?

Easy to install, the **base kit** is composed of a frame, a head with uni-directional rotation and a support ring nut.

Intuitive, easy and rational to use.

The installation of our four arm turnstile is simple and can be carried out even by non-skilled personnel. This option lowers the overall cost of the system **making it affordable** to anyone.

The turnstile is made of chrome plated steel

CHROME PLATED STEEL

Safety turnstile

code

242 456 710



complete the **kit base** with...

double guide arc



double guide arc
complete with chrome
plated upright
h. 1120 mm

Weight: 6 kg.

sign plates

To improve communication and simultaneously make it even more difficult to overcome the obstacle, sign plates both for the four arm turnstile and for the carts passage flap device are available.

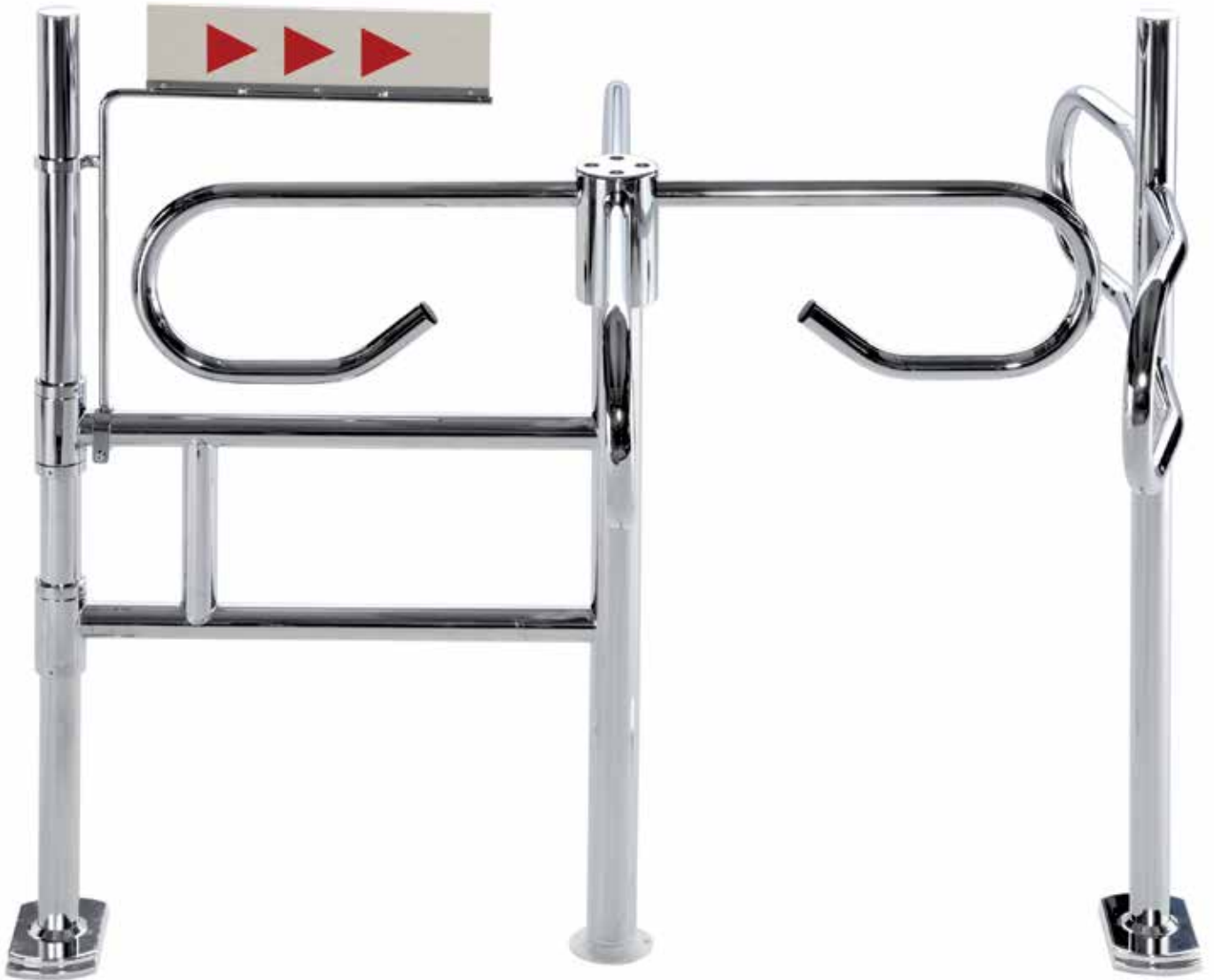
carts passage

The lateral passageway required for trolley transit is available in the standard version in three dimensions: 1000 mm, 1500 mm & 2000 mm.

The "safety" version is available only in the 1000 mm version.

TurnOGate

Four arm turnstile



The four arm turnstile is the solution for all managers who, by choice or necessity, have a limited budget.

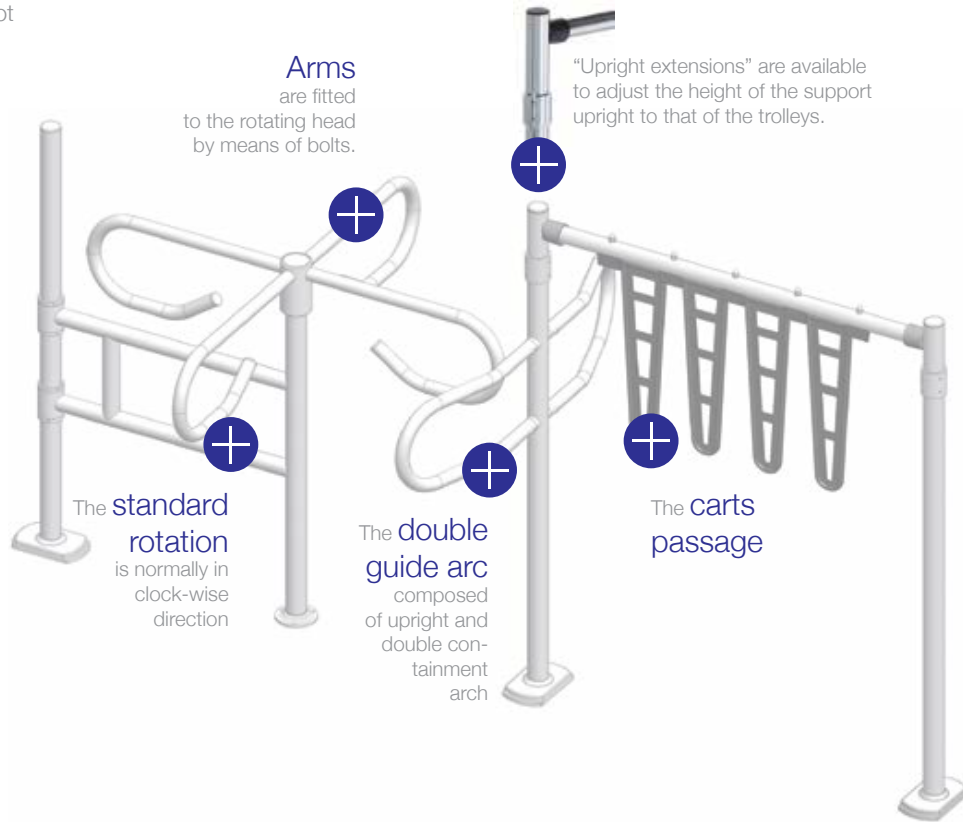
It is effective and economical.

It is easily installed and does not require any special technical operations.

It guarantees clean, quick work without the need for electrical preparations or construction.

Also available with shopping carts passage, equipped with anti-panic safety release.

Installation of the four arm turnstile does not require any connection to mains.



our customers ...

Carrefour, DIA, Dial, Expert, PAM, Autogrill, Fini.



info@stedaparts.nl
www.stedaparts.nl

four arm turnstile

base
composition



safety turnstile

include:
head complete with hub
anti-panic, arms and bolts,
frame complete with ring nut
for base fastening to the ground.
Weight: 25 kg.

diametro bracci 1200 mm

code 242 456 710

standard
carts passage



carts passage

include:
chrome plated bar,
4 uni-directional devices,
nuts, washers and bolts..
Weight: 2,4 kg.

1000 mm

code 232 802 606

sign
plate



turnstile sign plate holder

Weight: 0,5 kg.

code 532 457 010

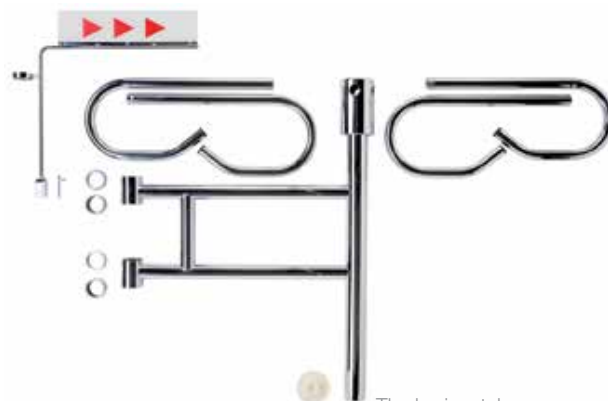
Components: codes and technical specifications

[uprights](#)

[plastics](#)

[bars](#)

[dividers](#)



The horizontal arms
are shipped dismantled
to reduce overall encumbrance.

info@stedaparts.nl
www.stedaparts.nl

STEDAPARTS
WEBSHOP VOOR BEVEILIGINGSPRODUCTEN



double arc guide

include:
upright
Weight: 6 kg.

altezza montante 1120 mm

code 242 851 004



anti-panic carts passage

includes:
double guide arc complete with
upright, anti-panic opening safety
device, mechanical safety release
device bar complete with no-return
flaps rotation device
Weight: 12 kg.

code 242 456 810



carts passage

include:
chrome plated bar,
6 uni-directional devices,
nuts, washers and bolts.
Weight: 3,6 kg.

1500 mm

code 232 802 604



carts passage

include:
chrome plated bar,
8 uni-directional devices,
nuts, washers and bolts.
Weight: 4,8 kg.

2000 mm

code 232 802 605



carts passage sign table

Weight: 0,1 kg.

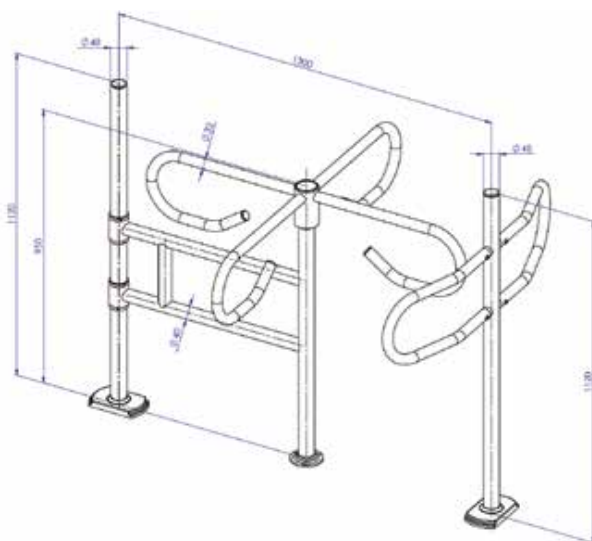
code 530 800 604



upright extension D48

include:
fixing sleeve and black plastic sleeve.
Weight: 0,5 kg

code 232 851 004



Safety and service device

In case of emergency, the four arm turnstile can be turned in the direction opposite the entry direction. By rotating on its upright, it can be moved to make more space in case a larger passageway were needed (e.g. for service personnel, large objects).

