



**SUREClose®**

**READYFit**

Hydraulic Gate Hinge-Closers. Externally Mounted.

**Application**

Residential, Commercial

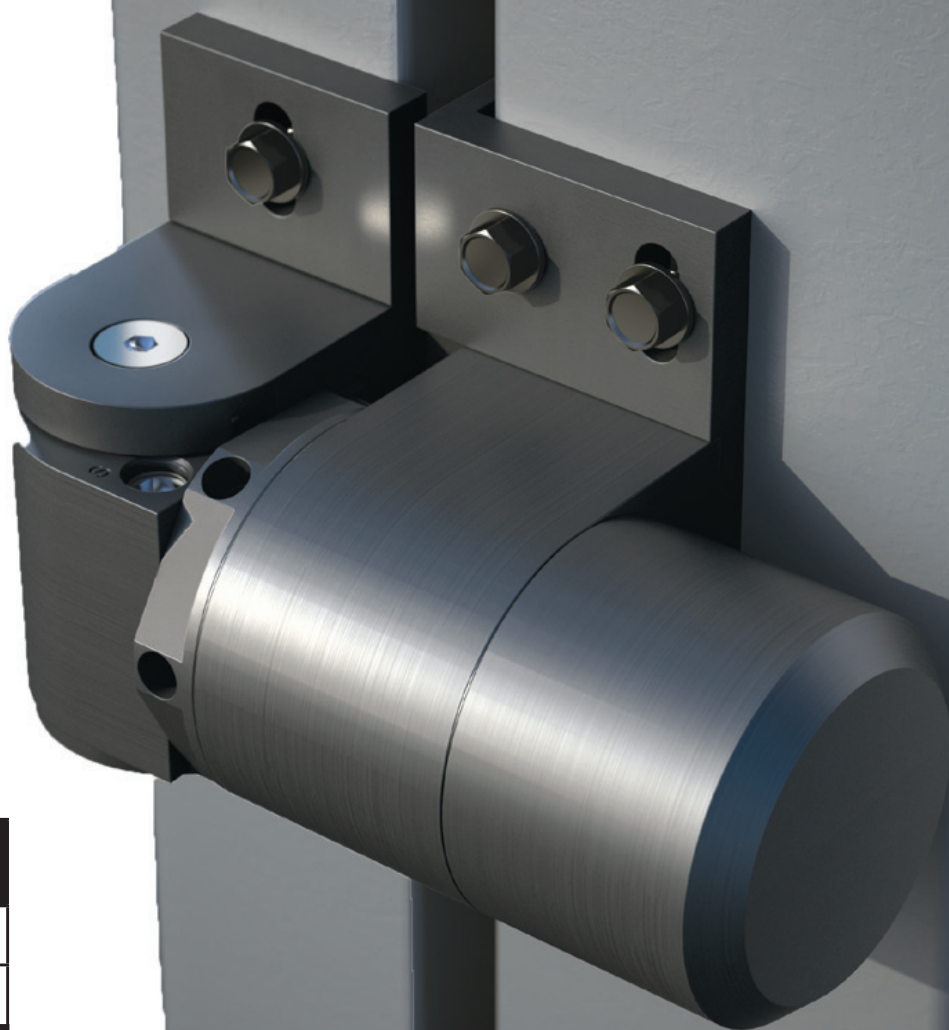
**Ideal Gate Material**

Aluminum or Steel

**Dimensions**

Page 54

**Installation Video**



Hinge Combinations	Max self-Closing Gate Weight Max*
108 + SM	180 lb (80kg)
108 + 108	260 lb (120kg)
Access Control	Weight Capacity
SM + SM	1,500 lb (680kg)

**\*CAUTION:**

Based on max gate size 72"H x 40"W (1800x1000mm). For gates with greater HxW, or if weather conditions such as wind play a role, use hinge combinations with higher self-closing weight ratings.

**A hinge-closer in one small, powerful package**

SureClose RFSM



SureClose RF108





### Multiple mounting options:

- Mounting brackets included
- Aluminum screw-on
- Steel weld-on
- Fasteners included

**Quick-fit alignment legs:**  
For ease of installation, alignment and double face-fixing strength.

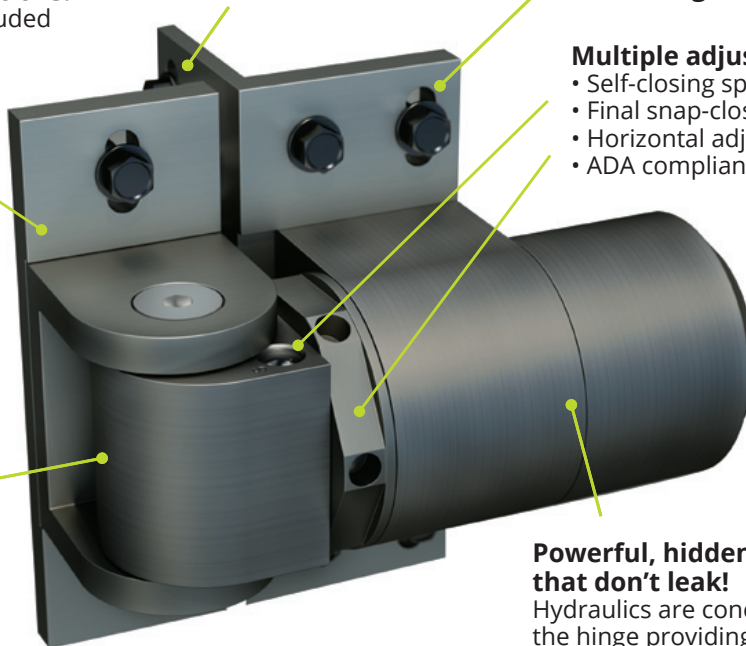
### Vertical alignment slots

### Multiple adjustment options :

- Self-closing speed and force
- Final snap-close action
- Horizontal adjustment
- ADA compliant

### Dual Bearing Glide System™

Two rows of bearings for consistently superior performance.



### Powerful, hidden hydraulics... that don't leak!

Hydraulics are concealed within the hinge providing a controlled, quiet close in a tamper-resistant, compact design.

No need to ever add fluid.

### PRODUCT FEATURE VIDEO

CODE	MODEL	TYPE	BRACKET	GAP VARIANCE	SELF-CLOSING FROM	MAXIMUM GATE SWING	FINAL SNAP-CLOSE ACTION	POOL/CHILD SAFETY**	FENCE POST SIZE MINIMUM
74001313	RF SM S	Hinge	Aluminum Screw-on	½" - 1 ⅜" (12-35mm)	-	180°	-	-	2" (50mm)
74001315	RF SM W	Hinge	Steel Weld-on	½" - 1 ⅜" (12-35mm)	-	180°	-	-	2" (50mm)
74108313	RF 108 S	Hinge/Closer	Aluminum Screw-on	½" - 1 ⅜" (12-35mm)	85°	180°	Yes	-	2" (50mm)
74108315	RF 108 W	Hinge/Closer	Steel Weld-on	½" - 1 ½" (12-35mm)	85°	180°	Yes	-	2" (50mm)
74108323	RF 108SF S	Hinge/Closer & Safety Feature	Aluminum Screw-on	½" - 1 ⅜" (12-35mm)	90°	90°	Yes	Yes**	2" (50mm)
74108325	RF 108SF W	Hinge/Closer & Safety Feature	Steel Weld-on	½" - 1 ⅜" (12-35mm)	90°	90°	Yes	Yes**	2" (50mm)

\*\*Yes (SF) = Gate will not hold open at 90° (OK for safety gates). Do NOT use a hinge with a 90° hold-open feature (-) for pool/child safety gates. IMPORTANT: For maximum gate weights, see weight chart on page 32.

CAUTION: A gate stop must be installed when using SF models. Gate must not be allowed to open past 90°. Doing so voids warranty.

