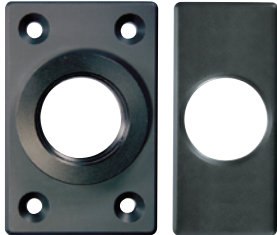


Installation Video

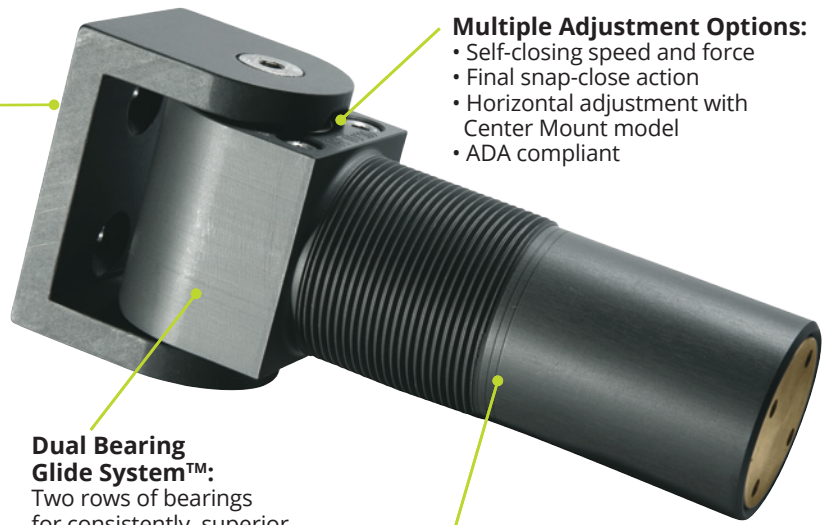
Mounting Brackets:

A variety of gate brackets allow for virtually any square-post mounting application:

- Steel or Aluminum
- Fastened or Welded
- Flush mount or center mount



NOTE: Flush and Center Mount model post brackets are sold separately. Fasteners not included. See page 59 for complete Bracket selection.



Multiple Adjustment Options:

- Self-closing speed and force
- Final snap-close action
- Horizontal adjustment with Center Mount model
- ADA compliant

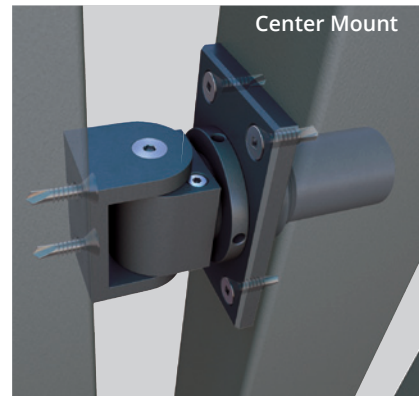
Dual Bearing Glide System™:

Two rows of bearings for consistently superior performance. (SM models only)

Powerful, hidden hydraulics... that don't leak!

Hydraulics inside the hinge are concealed within the fence post providing a small footprint. Controlled, quiet close in a tamper resistant, compact design. No need to ever add fluid. (57 & 108 models)

PRODUCT FEATURE VIDEO



CENTER MOUNT

CODE*	MODEL	TYPE	BRACKET	SELF-CLOSING FROM	MAX GATE SWING	FENCE POST SIZE MIN.	POOL/CHILD SAFETY**
75001113	SM S	Hinge	Aluminum Screw-on	-	90°	2 ½" (64mm)	-
75057113m	57 S	Closer & Hinge	Aluminum Screw-on	85°	90°	2 ½" (64mm)	-
75057123m	57SF S	Closer & Hinge	Aluminum Screw-on	90°	90°	2 ½" (64mm)	Yes
75108113m	108 S	Closer & Hinge w/ Final Snap Action	Aluminum Screw-on	85°	90°	3" (76mm)	-
75108123m	108SF S	Closer & Hinge w/ Final Snap Action	Aluminum Screw-on	90°	90°	3" (76mm)	Yes
75001114	SM W	Hinge	Steel Weld-on	-	90°	2 ½" (64mm)	-
75057114m	57 W	Closer & Hinge	Steel Weld-on	85°	90°	2 ½" (64mm)	-
75057124m	57SF W	Closer & Hinge	Steel Weld-on	90°	90°	2 ½" (64mm)	Yes
75108114m	108 W	Closer & Hinge w/ Final Snap Action	Steel Weld-on	85°	90°	3" (76mm)	-
75108124m	108SF W	Closer & Hinge w/ Final Snap Action	Steel Weld-on	90°	90°	3" (76mm)	Yes



CENTER MOUNT

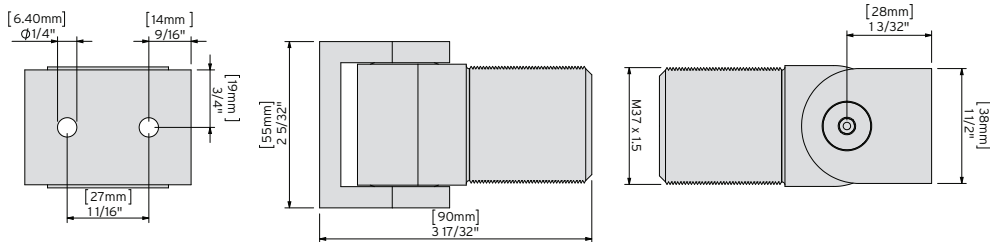
CODE*	MODEL	TYPE	HINGE MATERIAL	SELF-CLOSING FROM	MAXIMUM GATE SWING	FINAL SNAP ACTION	POOL/CHILD SAFETY**	GAP VARIANCE	FENCE POST SIZE MINIMUM
75001113	SM S	Hinge	Aluminum (Screw-on)	-	90°	-	-	2 1/2" -3" (64-76mm)	2 1/2" (64mm)
75057113m	57 S	Hydraulic Closer & Hinge	Aluminum (Screw-on)	85°	90°	-	-	2 1/2" -3" (64-76mm)	2 1/2" (64mm)
75057123m	57SF S	Hydraulic Closer & Hinge	Aluminum (Screw-on)	90°	90°	-	Yes	2 1/2" -3" (64-76mm)	2 1/2" (64mm)
75108113m	108 S	Hydraulic Closer & Hinge w/ Final Snap Action	Aluminum (Screw-on)	85°	90°	Yes	-	2 1/2" -3" (64-76mm)	3" (76mm)
75108123m	108SF S	Hydraulic Closer & Hinge w/ Final Snap Action	Aluminum (Screw-on)	90°	90°	Yes	Yes	2 1/2" -3" (64-76mm)	3" (76mm)
75001114	SM W	Hinge	Steel (Weld-on)	-	90°	-	-	2 1/2" -3" (64-76mm)	2 1/2" (64mm)
75057114m	57 W	Hydraulic Closer & Hinge	Steel (Weld-on)	85°	90°	-	-	2 1/2" -3" (64-76mm)	2 1/2" (64mm)
75057124m	57SF W	Hydraulic Closer & Hinge	Steel (Weld-on)	90°	90°	-	Yes	2 1/2" -3" (64-76mm)	2 1/2" (64mm)
75108114m	108 W	Hydraulic Closer & Hinge w/ Final Snap Action	Steel (Weld-on)	85°	90°	Yes	-	2 1/2" -3" (64-76mm)	3" (76mm)
75108124m	108SF W	Hydraulic Closer & Hinge w/ Final Snap Action	Steel (Weld-on)	90°	90°	Yes	Yes	2 1/2" -3" (64-76mm)	3" (76mm)

*Gate mounting brackets included with hinge. Post-mounting brackets sold separately. Fasteners not included.

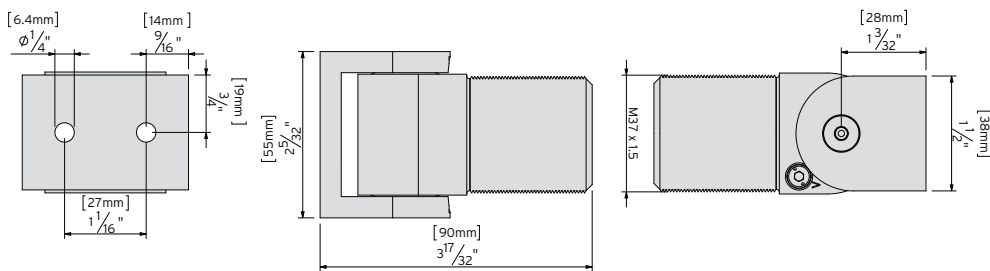
**Use only SF model closers on pool/safety gates. Hinges must be at least 36" (900mm) apart so that they cannot be used as footholds by toddlers. IMPORTANT: For maximum gate weights, see page 34.

CAUTION: A gate stop must be installed when using SF models. Gate must not be allowed to open past 90°. Doing so voids warranty.

SM S



57 S & 57SF S



108 S & 108SF S

