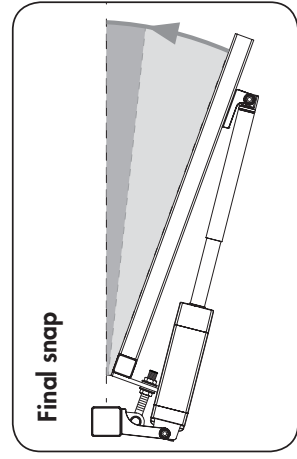
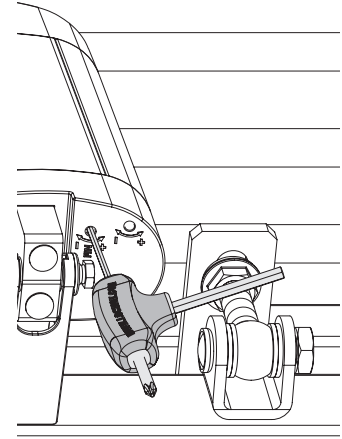
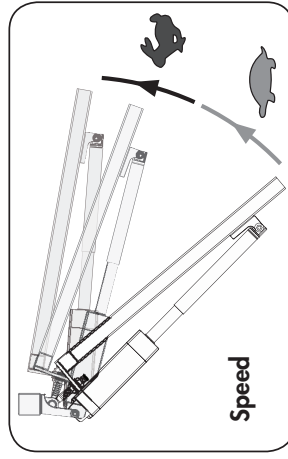
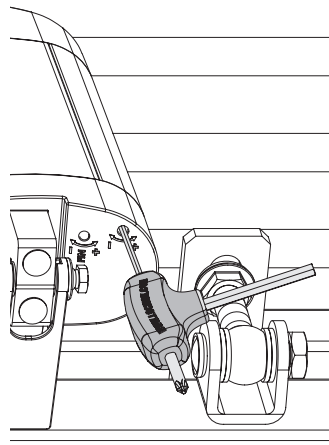
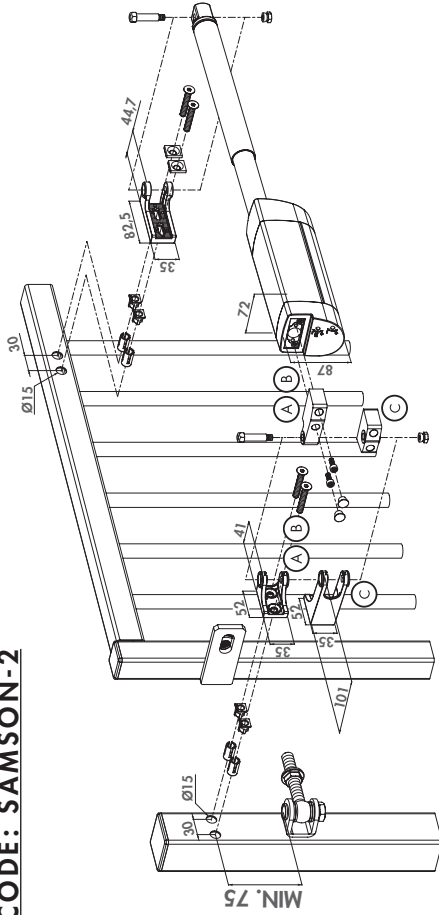
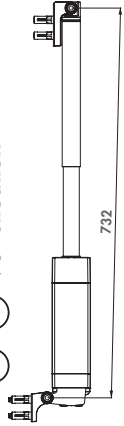


CODE: SAMSON-2

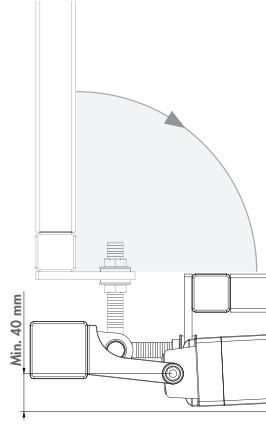
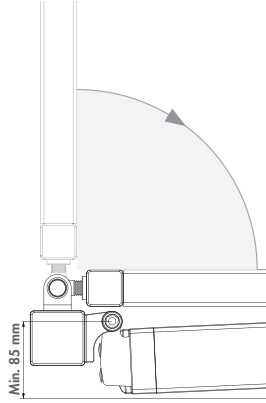
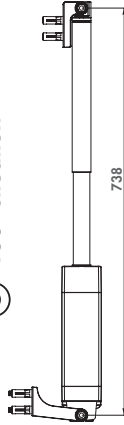


INSTALLATION SITUATIONS

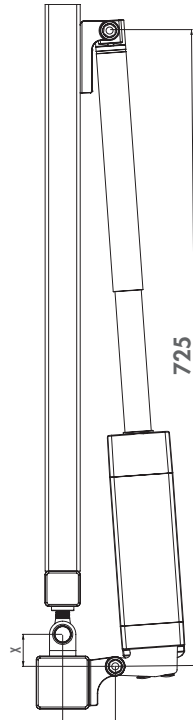
(A) (B) 90° situation



(C) 180° situation

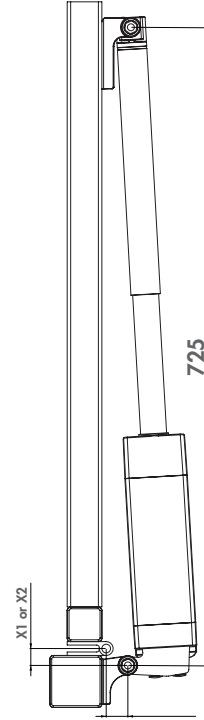


Sit. (A)



X = Min. 30 / Max. 52,5
Y = Min. 45 / Max. 90

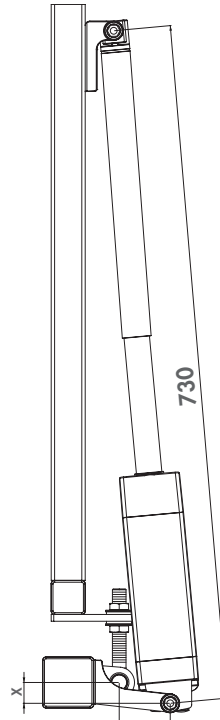
Sit. (B)



X1 = Min. 35 / Max. 100
Y1 = Min. 20 / Max. 50

X2 = Min. 55 / Max. 145
Y2 = Min. 0 / Max. 15

Sit. (C)



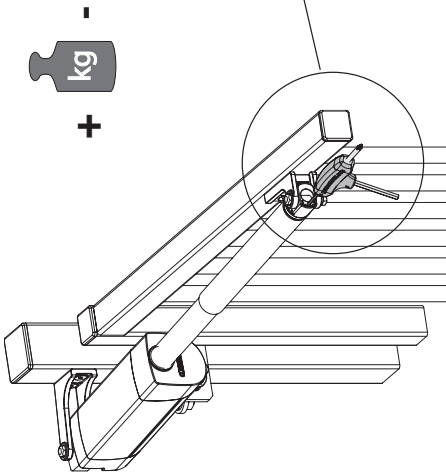
X = Min. 20 / Max. 77,5
Y = Min. 55 / Max. 70

LOCINOX®
WWW.LOCINOX.COM

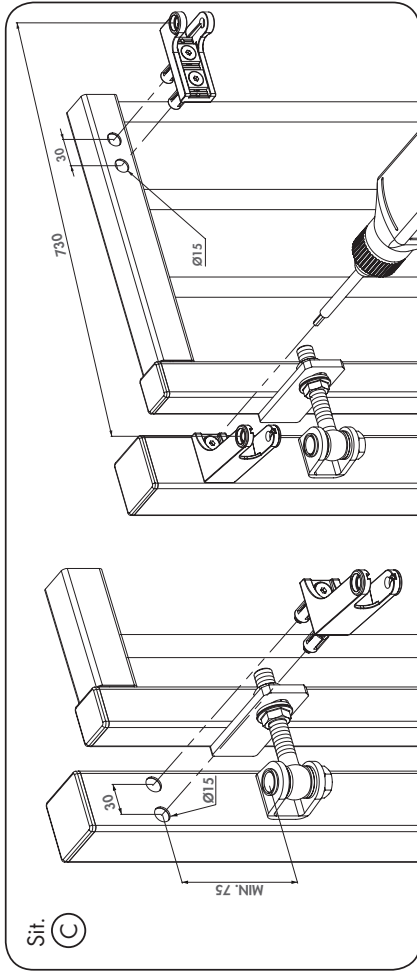
Doc. Nr.:
MANU-000212

Locinox nv • Mannebeekstraat 21
B-8790 Waregem • Belgium • Europe
Tel. +32 (0)56 77 27 66 • Fax. +32 (0)56 77 69 26
E-mail: locinox@locinox.com

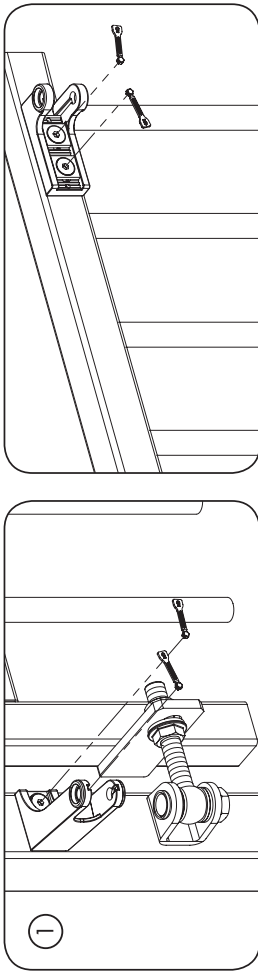




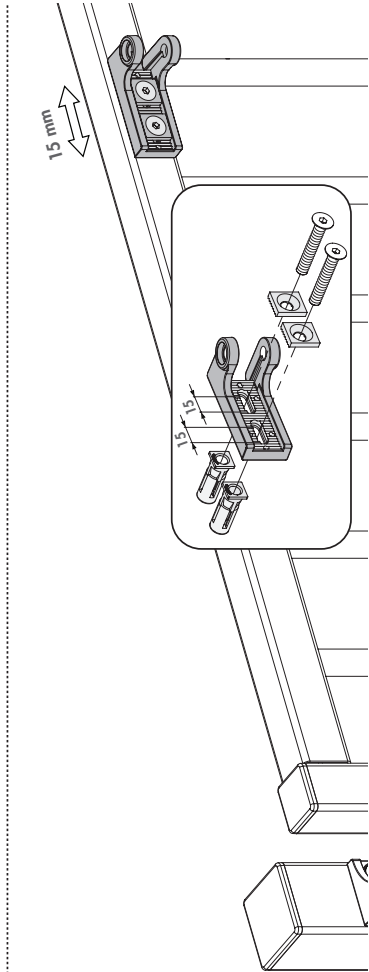
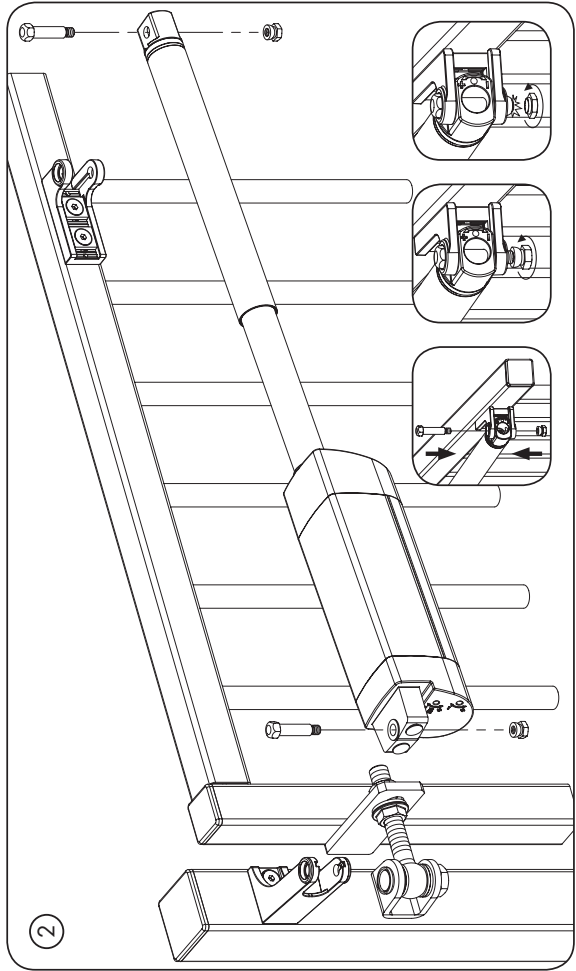
Sit. C



1

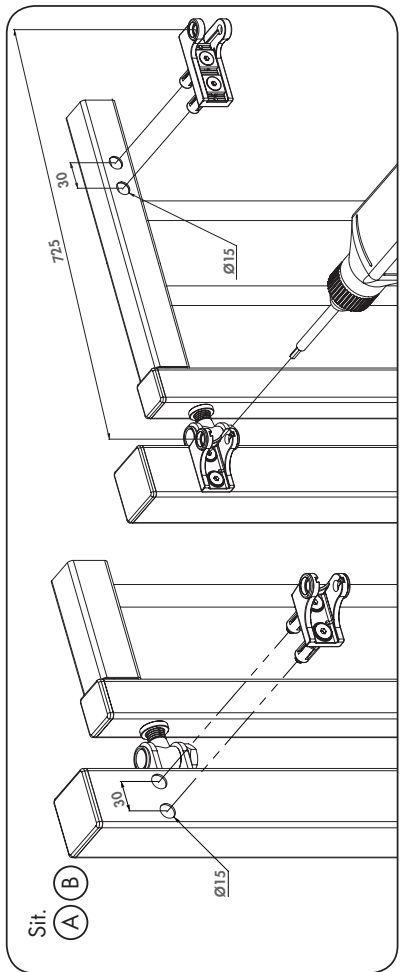


2



INSTALLATION INSTRUCTIONS

Sit. A B



CE

2015-12-02

CE

2015-12-02