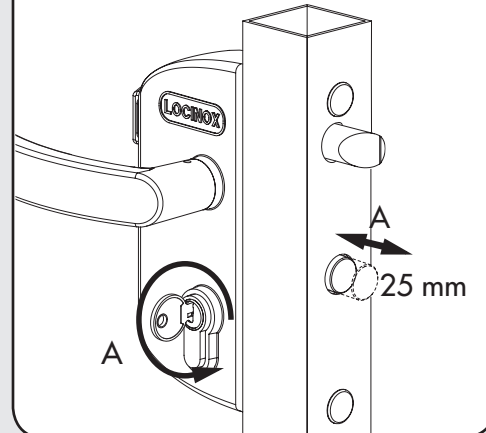
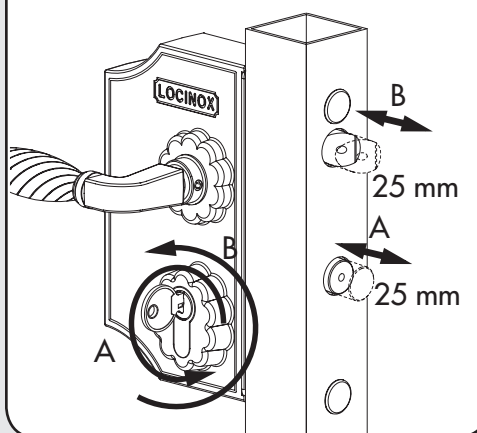
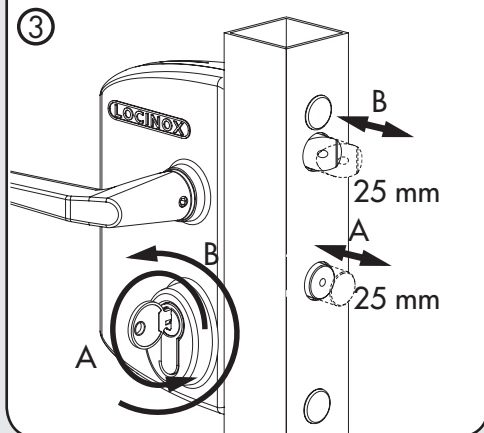
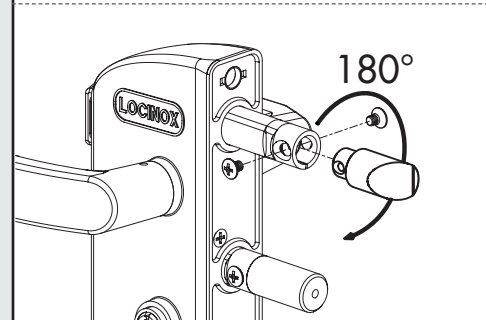
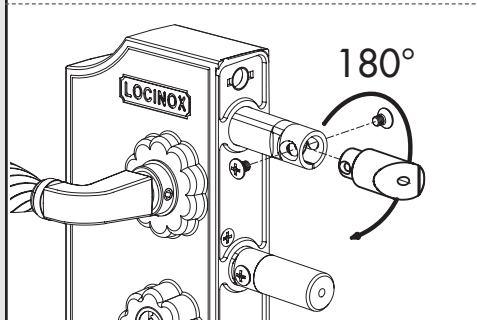
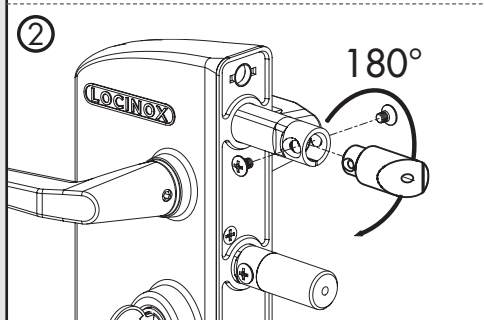
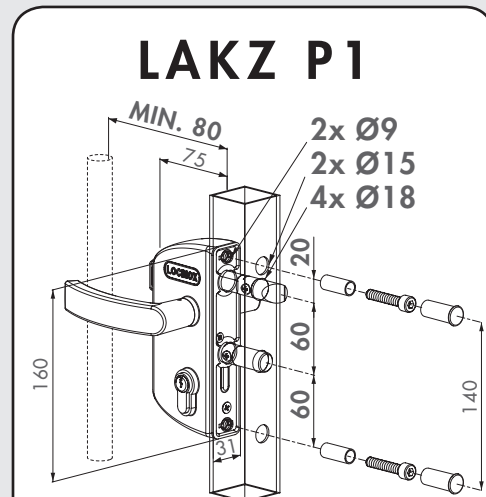
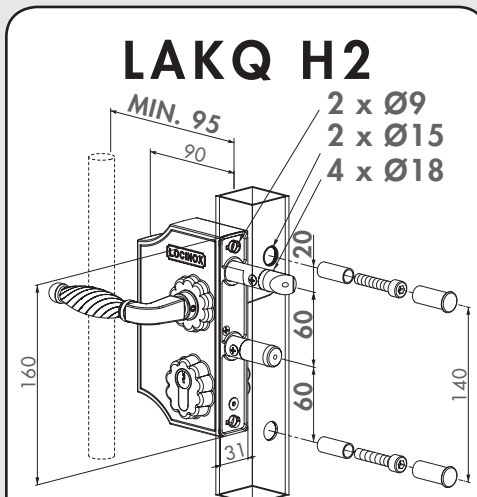
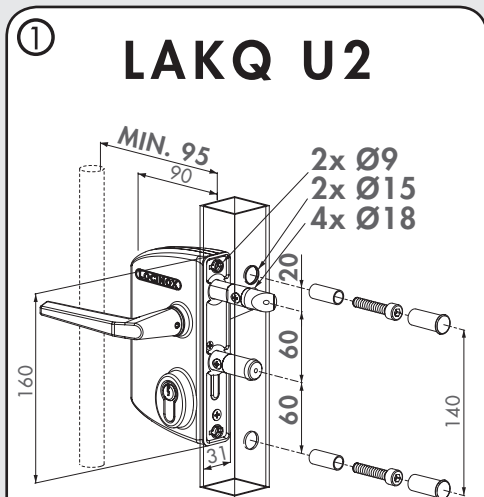
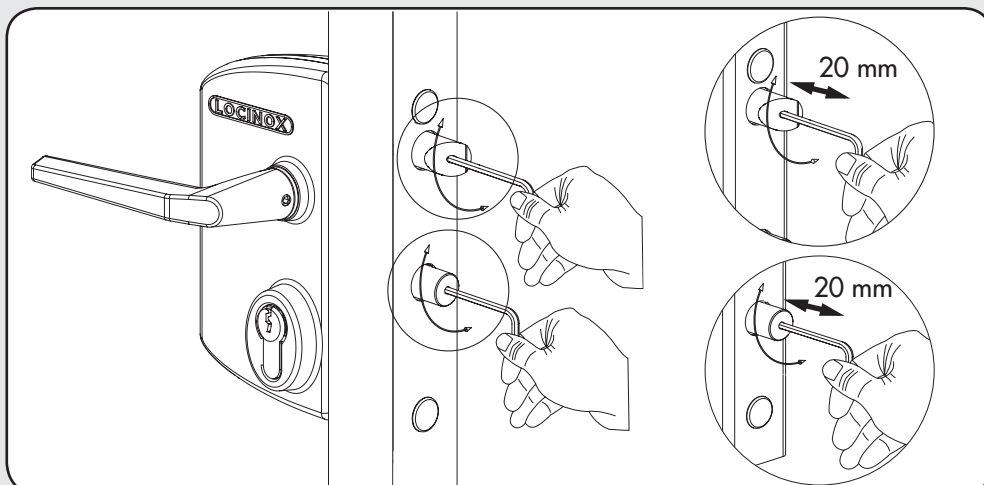


Let's make better fences together



④ **LAKQ U2 / LAKQ H2**

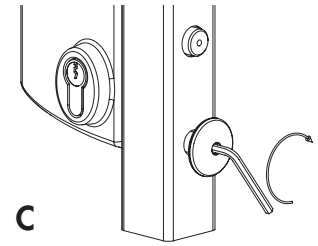
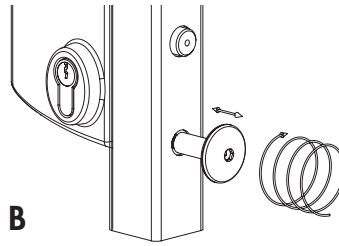
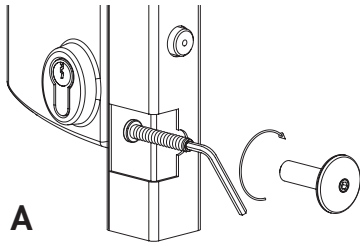
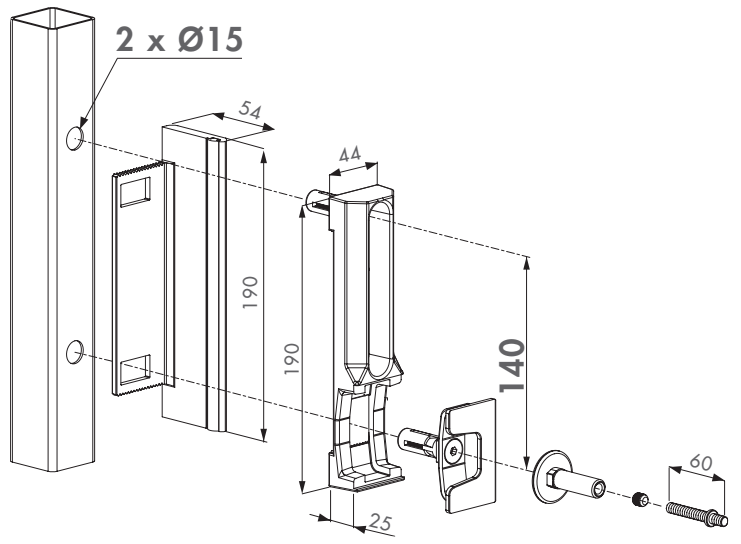
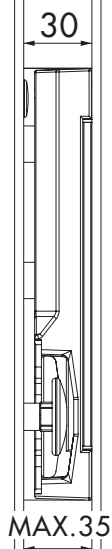
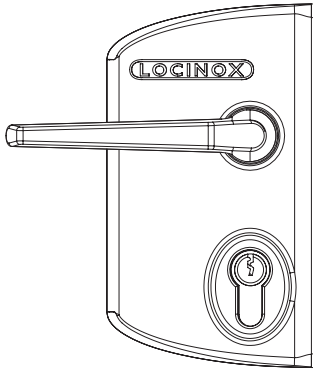


**LAKQ U2 + SAKL QF**

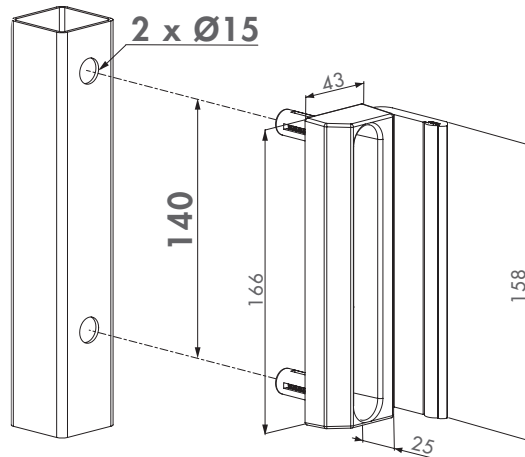
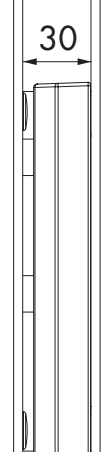
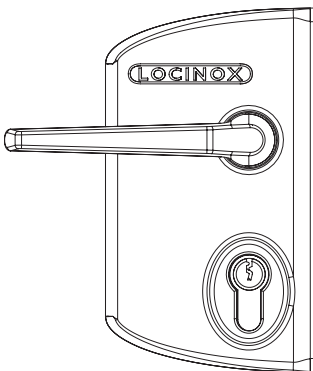


**VIDEO**

### ⑤ SHKL QF



### SAKL QF



### SMKL QF

