

Mechanical Gate

FM/EN/2016_R2



Available with:



standard tubular arm



standard extensible tubular arm

CHROME PLATED STEEL

Description

Designed as an economical alternative to automatic gates, these have become, over the evolution of access control systems, an accessory, though they are essential in the creation of barriers inside sales areas.

Usable for control of “no purchase” exits or as a service passage, these can be equipped with a key lock.

Complete with anti-panic device that permits opening in the opposite direction to that of the standard defined opening with extreme ease.

A spring device ensures return to the closed position, allowing for return speed adjustment with a few simple operations.

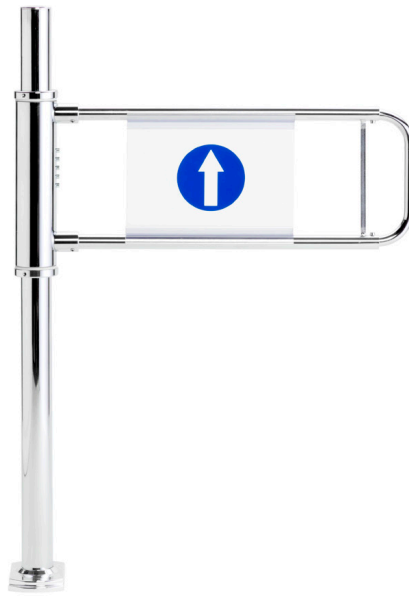
Available with a wide range of arms and sign plates.

Areas of use

■ Hypermarkets ■ Supermarkets ■ Discount stores ■ DIY stores ■ Garden Centers

info@stedaparts.nl
www.stedaparts.nl

STEDAPARTS
WEBSHOP VOOR BEVEILIGINGSPRODUCTEN

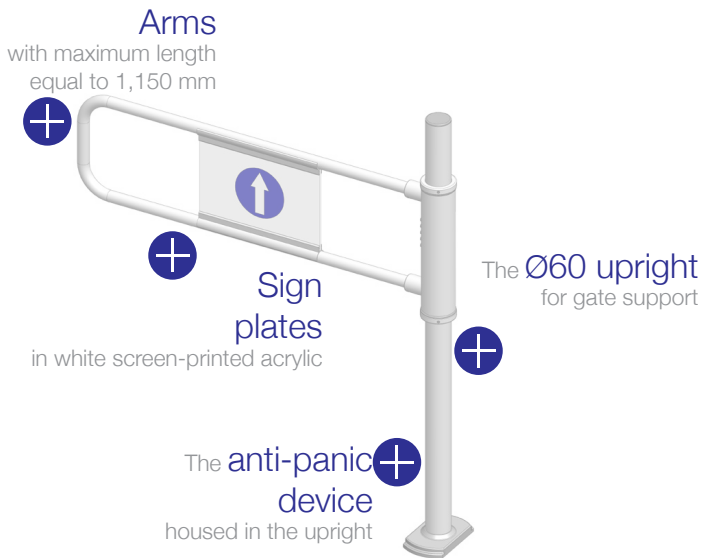


technical specifications

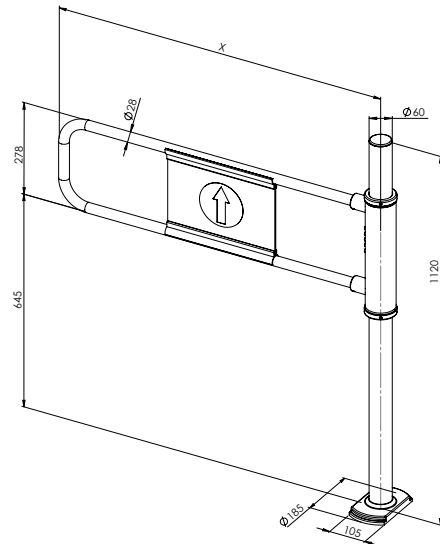
Installation of the gate requires connection to mains.

Dimensions indicated in mm

Main components



Manoeuvring areas



Wall mounting version



Safety devices

Anti-panic: A fully mechanical anti-panic device allows for arm opening in the reverse direction of that pre-set for transit with pushing action equal to 40 N·m on the arm itself.

technical specifications

Mechanical Gate



Features	
Drive	pushing mechanism
Arm closing speed adjustment	yes
Anti-panic device	present
Weight	10 kg
IP Degree of protection	IP 31
Standard	complies with CE marking

Materials	
Upright:	mirror-polished chrome plated steel
Arm:	mirror-polished chrome plated steel
Sign plate:	white screen-printed acrylic

Operation

Pushing mechanism: return is ensured by a coil spring located on the top part of the upright.

The floor-mounted mechanism can be supplied with opening direction:

- right
- left
- bi-directional

The wall-mounted mechanism can be supplied with opening direction:

- right
- left

Note: with right or left mechanism, rotation inversion is possible after disassembly and re-assembly of the entire object.

Accessories
Standard 700 mm, 900 mm or 1,150 mm tubular arm
Standard extensible tubular arm: 700 mm - 1.100 mm
Sign plate (Entry/No_Entry)
Adhesive sign plate (Emergency_Exit)

Note: Arms are available both standard and extensible. It is important to consider that the return spring load and therefore speed is directly proportional to the length and to the size of the arm itself: **THE LONGER** the arm is, **THE MORE** the spring needs to be loaded and vice-versa. Related instructions are available in the manual.



Warning: The sign table for emergency exit must only be used with a transit width exceeding 1,200 mm.

Important

All horizontal conductors required for cable passage and positioned under bases of gates and of typical system components for access control must be installed at least 150 mm deep. Any chased metal ducts must be positioned in axis with the ends of the gate.

The customer is responsible for ensuring that ECo brand products are managed and maintained in accordance with the layout structure, connections and characteristics defined during installation.

The dimensions specified on this *data sheet* are approximate. For correct installation, we suggest you contact our customer service :