

DC300 tandem rod- type door closer

Rack and pinion closer with link arm L190

Product description

- Rack and pinion closer with link arm L190
- Two door closer are interlinked for extra wide and heavy doors
- Double closing torque of DC300, up to size EN 7
- For single action doors with a width of up to 1600 mm

Overview of Advantages

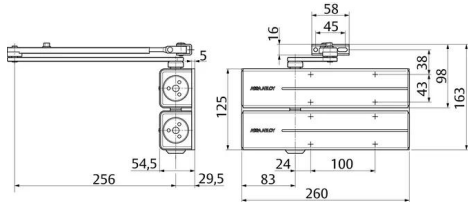
- Tandem mounting plate A121 generally required
- Can be used for left and right-handed doors
- Can only be used with a link arm
- Axis height adjustable up to 14 mm
- Closing speed, latching speed and backcheck adjustable via front facing regulating valves
- Thermodynamic valves for consistent performance
- Variable adjustable closing force
- Effective backcheck and latching speed range adjustable
- Large range of applications
- Standard colours: silver EV1

Note

- Tandem consists of (please order accordingly):
- 2x DC300, EN size 3-6, silver EV1
- 1x mounting plate A121, silver EV1
- 1x link arm L190, silver EV1

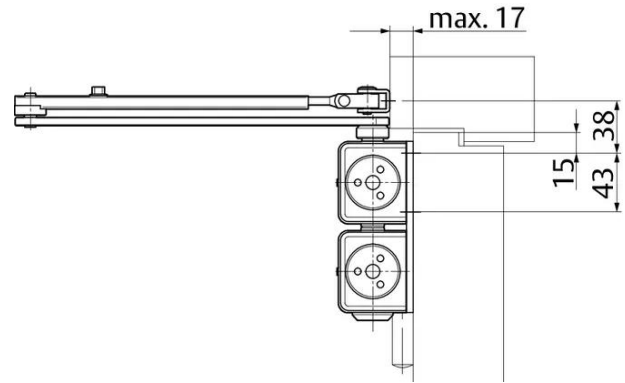
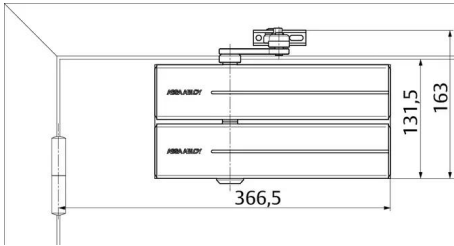
The advantages at a glance

Customer segment	Advantages
User	No reworking of door element for upgrade to tandem
Builders	One drilling template overall Standard door closers DC300 can be used with tandem mounting plates Quick and easy installation Quickly and easily adjustable Suitable for left and right handed doors, in both door and frame mounted applications Easily retrofitted with minimal rework
Trade	Reduced inventory costs due to modular product range
Project planners	Extensive range of uses, also for extra large and heavy doors



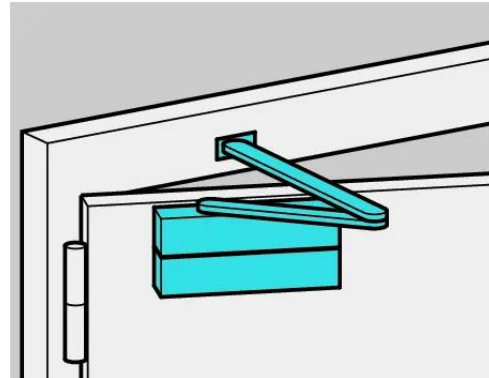
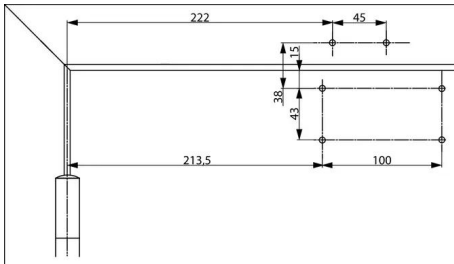
view construction

Required space on doors



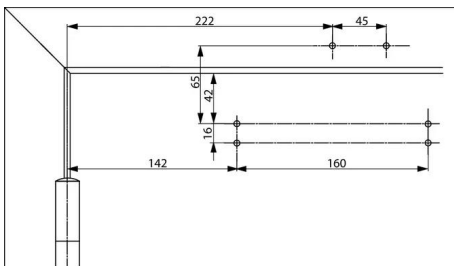
Left handed shown in diagram
Right handed is the reverse

Installation dimensions for direct mounting



Left handed shown in diagram
Right handed is the reverse

Installation dimensions



In compliance with EN 1154, Supplement 1, or for doors where direct mounting is not possible.

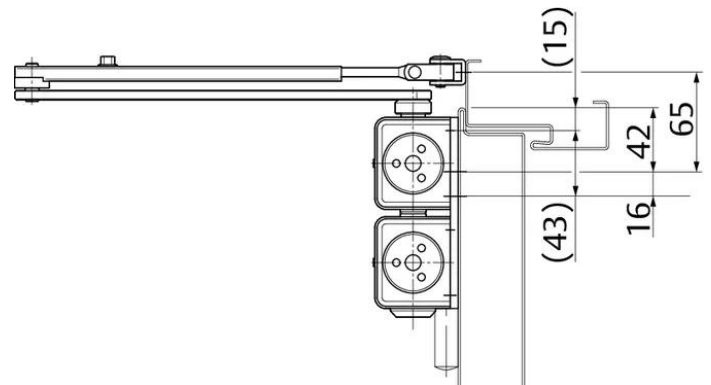
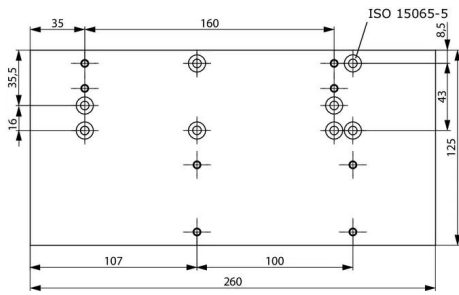
Left handed shown in diagram
Right handed is the reverse

DC300 tandem rod- type door closer

ASSA ABLOY

Rack and pinion closer with link arm L190

Mounting plate A121



For mounting with drilling template acc. to EN 1154 Supplement 1 (fire and smoke protection doors) and for direct mounting.