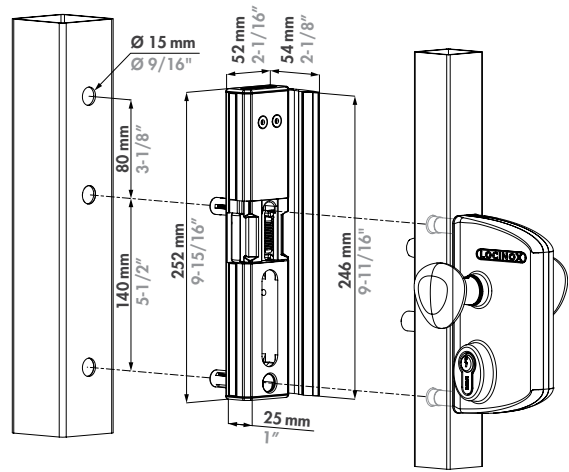
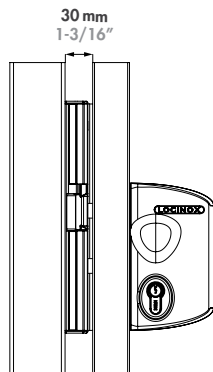
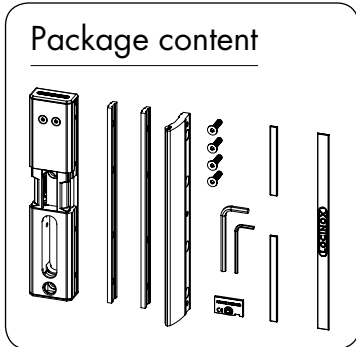
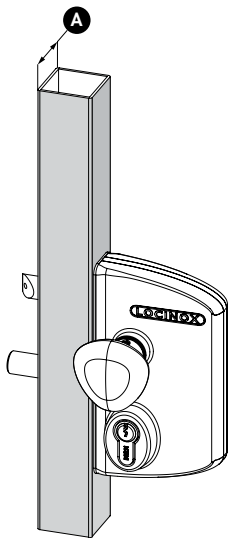


# MODULEC-SA

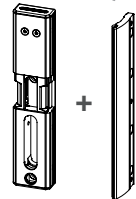
## ① Exploded view & dimensions



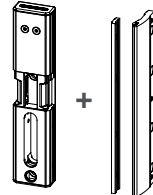
## ② Gate profile dimensions



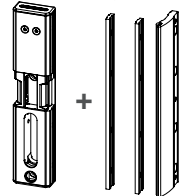
**A** = 40 mm  
1- 5/8"



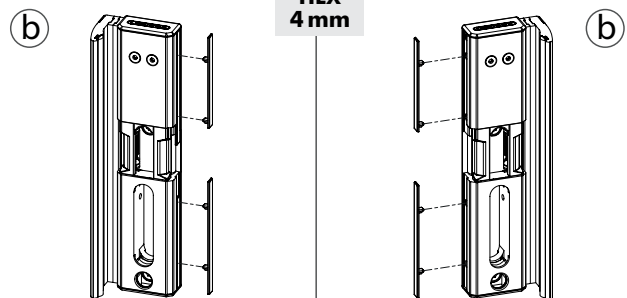
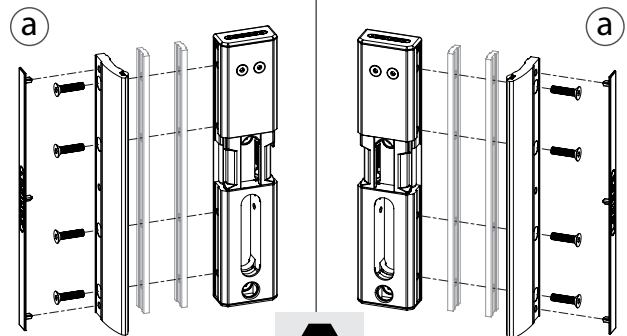
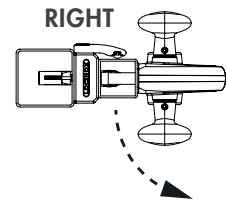
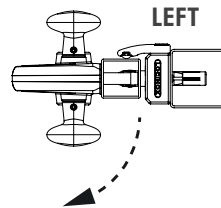
**A** = 50 mm  
2"



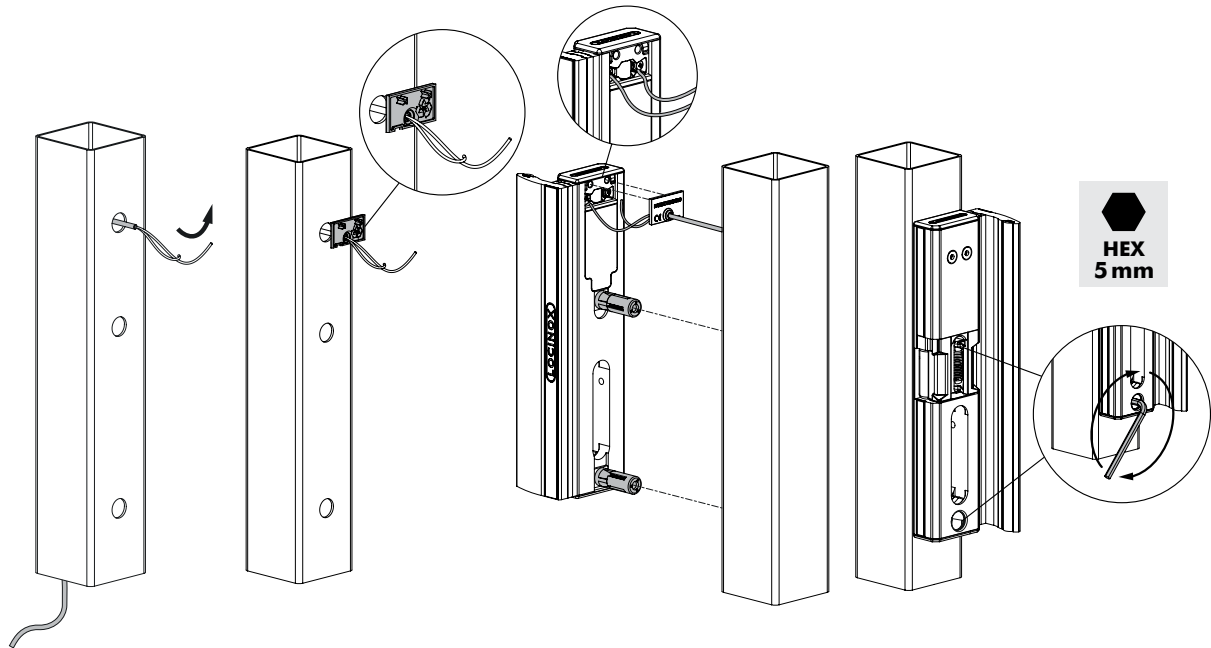
**A** = 60 mm  
2- 3/8"



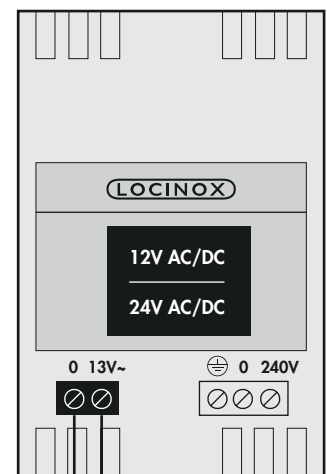
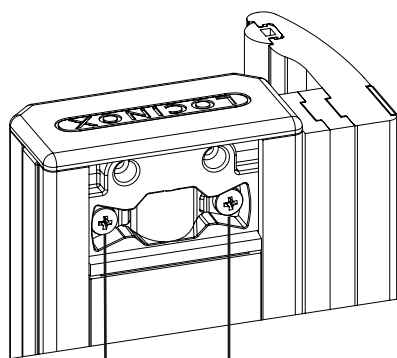
## ③ Left or right mounting



#### ④ Mounting



#### ⑥ Connecting



U: 12 V AC/DC  
24 V AC/DC  
P: 15 W