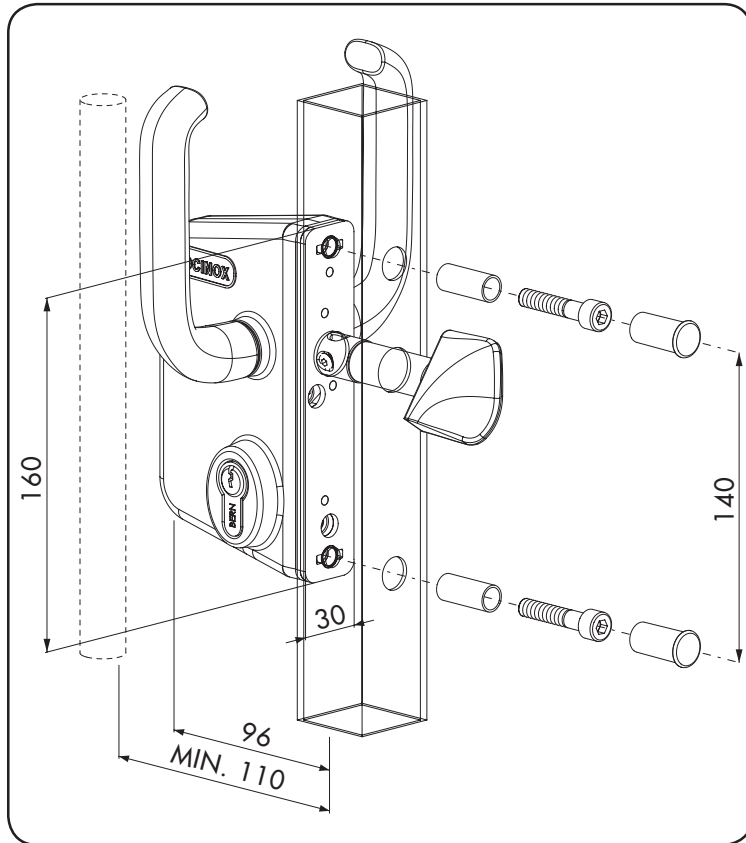
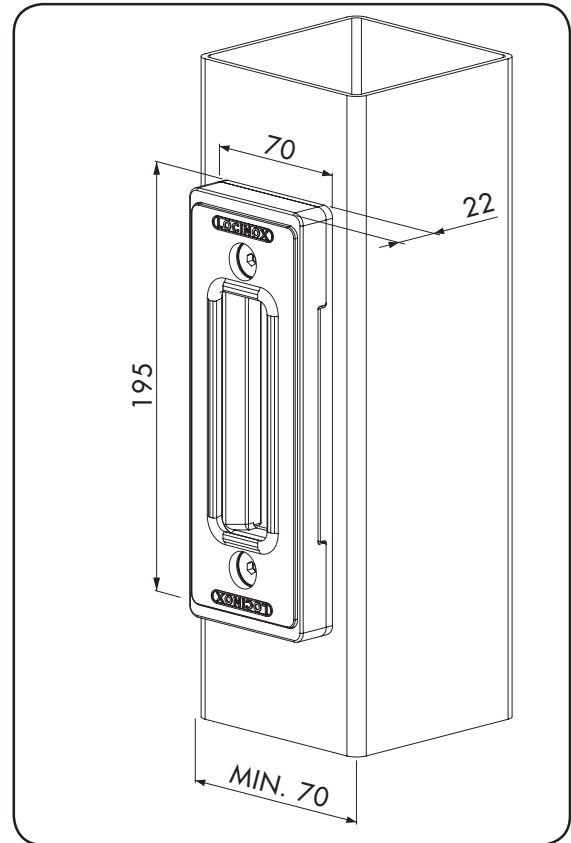


## CODE: LSKZ U2 + SSKZ QF

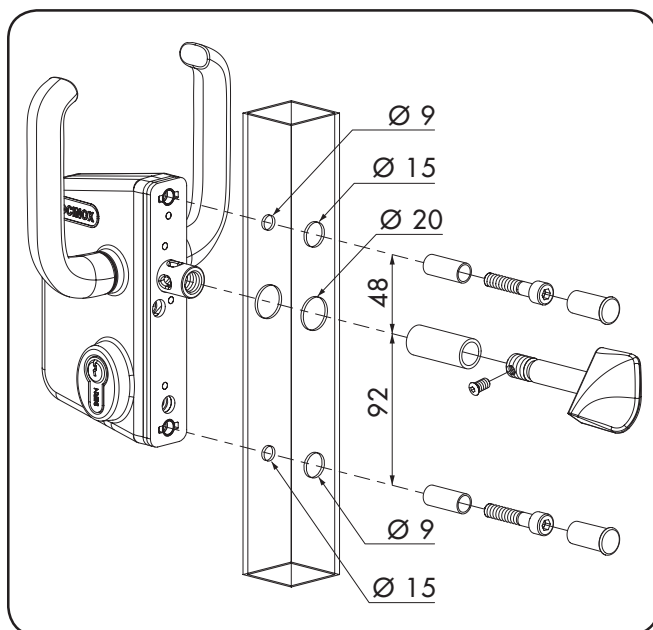
① LSKZ U2 - Dimensions



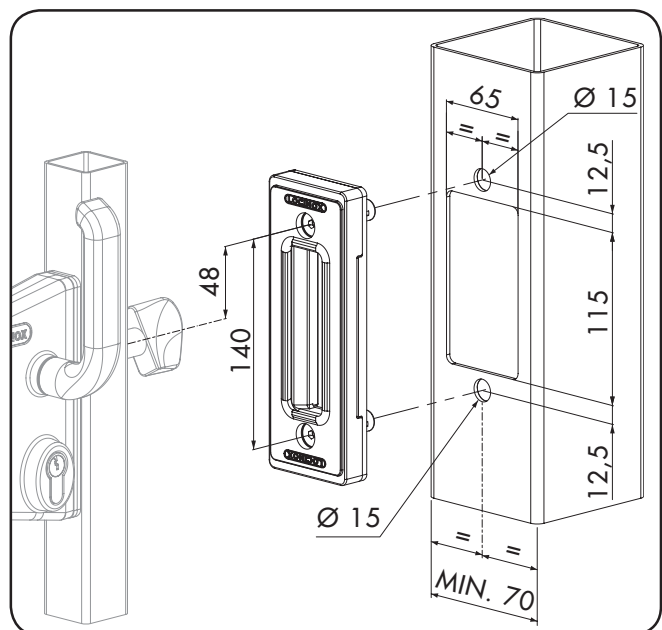
② SSKZ QF - Dimensions



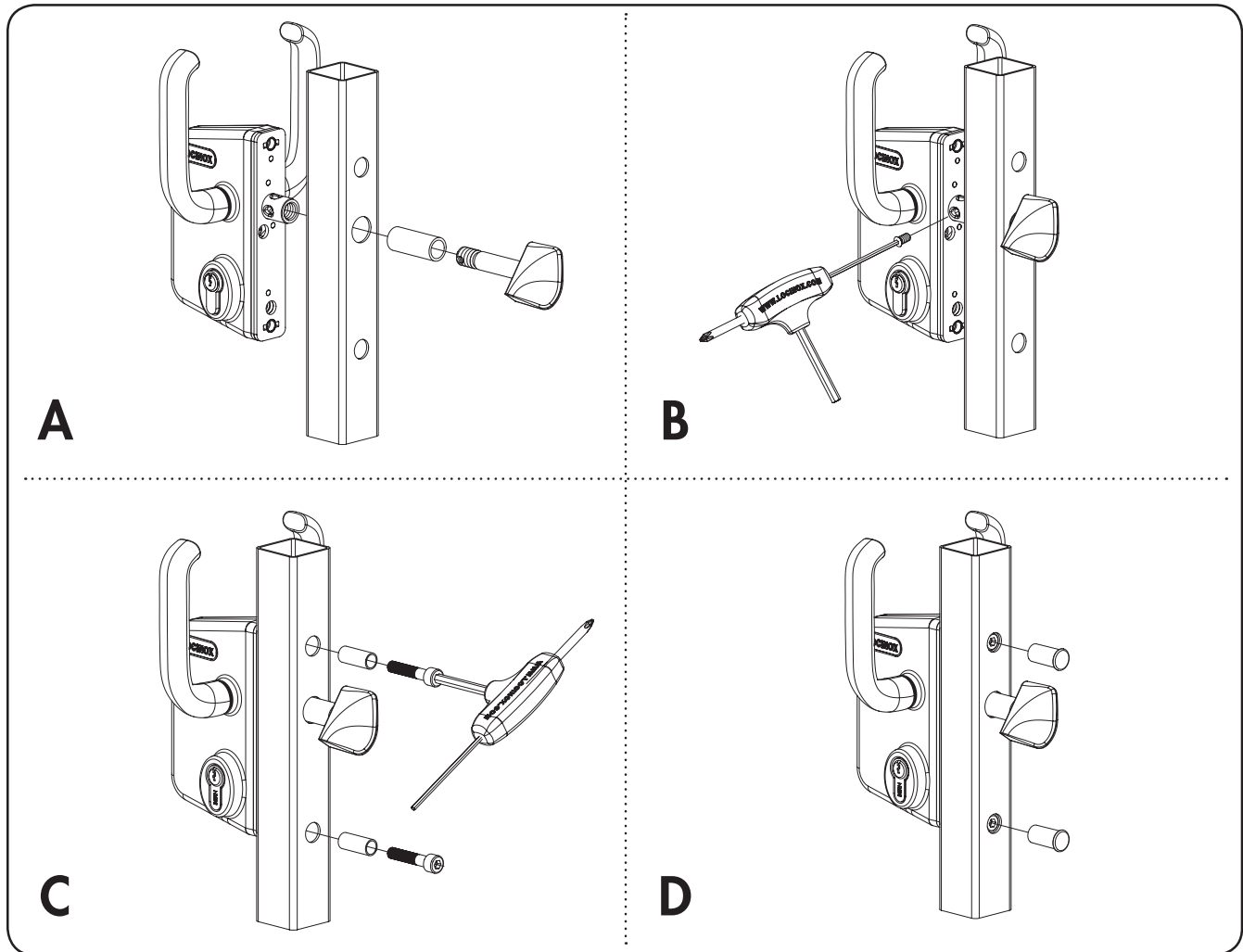
③ Profile preparation LSKZ U2



④ Profile preparation SSKZ QF



⑤ Fixing LSKZ U2



⑥ Fixing SSKZ QF

