

Furniture Locking System SAFE-O-TRONIC[®] access LS



Model

SAFE-O-TRONIC[®] access LS101

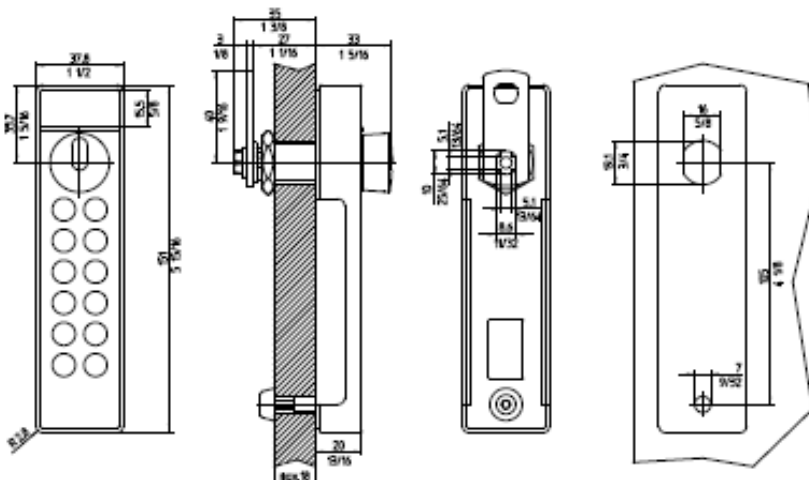


PIN code furniture locking system

Furniture locking system with PIN code function, with black or white front plate, capacitive keypad and round rotary knob. SAFE-O-TRONIC access LS101 can be fitted in four different mounting directions and it can be used for right-hand and left-hand cabinet doors made from all customary materials



Awarded Locking System:
 red dot award: product design 2010 and
 nominated for "Designpreis Deutschland 2011"





Technical data

LS101

Housing dimensions incl. rotary knob (HxWxD) 151mm x 38mm x 33mm

Weight approx. 300g

Standard alkaline batteries on the outside

Battery service life: approx. 3 years or approx. 30.000 lock cycles

Door thickness up to 22mm

Temperature range function: 0 to +60°C

Temperature range storage: -15°C to +70°C

Relative humidity: 10-90% non-condensing

Features:

4, 5 or 6 digit PIN entry

Completely programmable via keypad

Free Locker Choice (3 operating modes)

Assigned Locker Mode (8 operating modes)

10 UserPINs per lock

“One Open” / “All Open”

Usage period 1-99 hours

Automatical opening or blocking

Protection against manipulation

MasterCode function

Battery management

Door status indication

Types