

CONTROL CHRONOS 2 TIMERS

**INNOVATIVE TIMING
SOLUTIONS
FLEXIBLE & RELIABLE
DIN RAIL & PLUG-IN
MOUNTABLE TIMERS**



CHRONOS 2 TIMERS ARE AVAILABLE IN 3 HOUSINGS:

- › 17.5 mm DIN Rail Modular
- › 22.5 mm DIN Rail Modular
- › 35 mm Plug-In Industrial

DIN Rail 17.5mm and 22.5mm timers have been redesigned featuring a new mechanical design ideal for modular panels, with a perfect alignment of the terminal blocks.

Plug-in Timers are easy to install and are ideal for applications where ease of maintenance is a primary requirement.

FEATURES:

- › More than 20 different functions available
- › Multi-function or mono-function
- › Broad timing range, from 0.1 s up to 100 h
- › Multi-voltage products for optimized inventory
- › Screw terminals
- › LED status indicator
- › 8 A (relay) and 0.7 A (static) outputs
- › 2nd relay output timed or instantaneous

TYPICAL APPLICATIONS:

- › OEM Industrial
- › Industrial ovens
- › Ice makers
- › HVAC systems
- › Compressors
- › Plastic machinery
- › Packaging equipment
- › Trains
- › Trucks & Buses

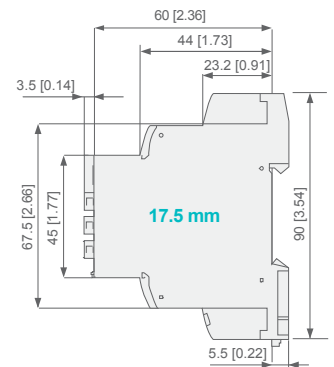
AGENCY APPROVALS (A)



DIN RAIL MOUNTED MODULAR 17.5 MM TIMERS

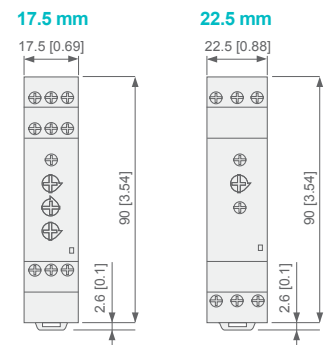
Part Number	Type	Functions (C)	Output(s) Changeover	Timing	Supply	
88 827 004 (D)	MUS2	A, At, B, C, H, Ht, Di, D, Ac, Bw	0.7 A	0.1 s to 100 h	24 to 240 VAC	
88 827 014 (D)	MAS5	A			24 to 240 VAC / VDC	
88 827 044 (D)	MHS2	H			24 to 240 VAC	
88 827 054 (D)	MLS2	L, Li			12 VAC / VDC	
88 827 100	MUR4	A, At, B, C, H, Ht, Di, D, Ac, Bw	1 x 8 A	0.1 s to 100 h	12 to 240 VAC / VDC	
88 827 103	MUR3				24 VDC / 24 to 240 VAC	
88 827 105	MUR1				12 VAC / VDC	
88 827 115	MAR1				A, At	24 VDC / 24 to 240 VAC
88 827 125	MBR1				B	12 VAC / VDC
88 827 135	MCR1	C	1 x 8 A	0.1 s to 100 h	24 VDC / 24 to 240 VAC	
88 827 145	MHR1	H, Ht			12 VAC / VDC	
88 827 150	MLR4	L, Li			24 VDC / 24 to 240 VAC	
88 827 155	MLR1	L, Li	1 x 8 A	0.1 s to 100 h	24 VDC / 24 to 240 VAC	
88 827 185	MXR1	Ad, Ah, N, O, P, Pt, TL, Tt, W			12 to 240 VAC / VDC	
88 827 503	MURc3	A, At, B, C, H, Ht, Di, D, Ac, Bw	1 x 8 A	0.1 s to 100 h	12 to 240 VAC / VDC	

THE NEW DIN RAIL MOUNTABLE CHRONOS 2 TIMERS OFFER A COMPACT AND ENHANCED DESIGN, IDEAL FOR MODULAR USE (B)



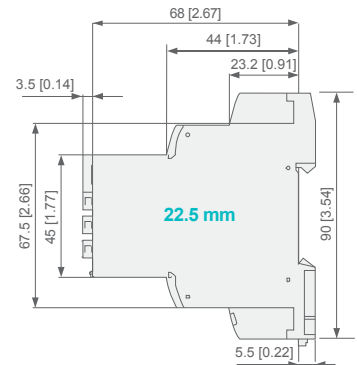
DIN RAIL MOUNTED MODULAR 22.5 MM TIMERS

Part Number	Type	Functions (C)	Output(s) Changeover	Timing	Supply
88 866 175	RQR1	Q	1 x 8 A	0.1 s to 100 h	24 VDC / 24 to 240 VAC
88 866 176 (G,H)	RQR6	Q			230-240 / 380-440 VAC
88 866 215	RA2R1	A, At	2 x 8 A	0.1 s to 160 s	24 VDC / 24 to 240 VAC
88 866 265 (F,H)	TK2R1	K			12 VAC / VDC
88 866 300	RU2R4	A, At, B, C, H, Ht, Di, D, Ac, Bw	2 x 8 A (E)	0.1 s to 100 h	12 to 240 VAC / VDC
88 866 303 (G)	RU2R3	A, At, H, Ht, B, C, Di, D, Ac, Bw			24 VDC / 24 to 240 VAC
88 866 305	RU2R1	Ad, Ah, N, O, P, Pt, TL, Tt, W			12 VAC / VDC
88 866 385 (G)	RX2R1				24 VDC / 24 to 240 VAC

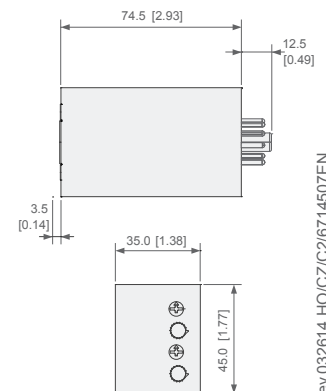


PLUG-IN MOUNTED INDUSTRIAL 35 MM TIMERS

Part Number	Type	Functions (C)	Output(s) Changeover	Timing	Supply	
Plug-in 8 pin base						
88 867 100	OUR4	A, At, B, C, H, Ht, Di, D, Ac, Bw	1 x 8 A	0.1 s to 100 h	12 VAC / VDC	
88 867 103	OUR3				12 to 240 VAC / VDC	
88 867 105	OUR1				24 VDC / 24 to 240 VAC	
88 867 135	OCR1				C	24 VDC / 24 to 240 VAC
88 867 155	OLR1				L, Li	24 VDC / 24 to 240 VAC
88 867 215	OA2R1	A	2 X 8 A	0.1 s to 100 h	24 VDC / 24 to 240 VAC	
Plug-in 11 pin base						
88 867 300 (E)	PU2R4	A, At, B, C, H, Ht, Di, D, Ac, Bw	2 X 8 A	0.1 s to 100 h	12 VAC / VDC	
88 867 303 (E)	PU2R3				12 to 240 VAC / VDC	
88 867 305 (E)	PU2R1				24 VDC / 24 to 240 VAC	
88 867 415	PA2R1				A, At	24 VDC / 24 to 240 VAC
88 867 435	PC2R1				C	24 VDC / 24 to 240 VAC
88 867 455	PL2R1	L, Li	2 X 8 A	0.1 s to 100 h	24 VDC / 24 to 240 VAC	



PLUG-IN TIMERS ARE EASY TO INSTALL AND AVAILABLE IN 8-PIN & 11-PIN BASE (B)



(A) Listed agency approvals may not apply to all part numbers available within a series. To consult agency approvals for a specific part number contact Crouzet Technical Support.

(B) All dimensions in drawings are in millimeters [inches] and are for reference only.

(C) For detailed information on timing functions see product datasheet available at crouzet.com

(D) Solid state output

(E) 1 timed +1 instantaneous or timed

(F) For information on the 88 865 265 mechanical dimensions see product datasheet available at www.crouzet.com

(G) All Chronos 2 Timers are CSA approved except 88866176, 88866303 and 88866385

(H) All Chronos 2 Timers are GL approved except 88866176 and 88865265

Rev.032614 HO/CZ/C2/6714507EN

Americas

Tel. : +1 (800) 677 5311
customer.service@us.crouzet.com

Europe, Middle East & Africa

Tel. : +44 (0) 1256 318 900
info@crouzet.co.uk

Asia

Tel. : +86 (0) 21 6065 7725
china@cstsensors.com

A brand of
CST
CUSTOM SENSORS & TECHNOLOGIES