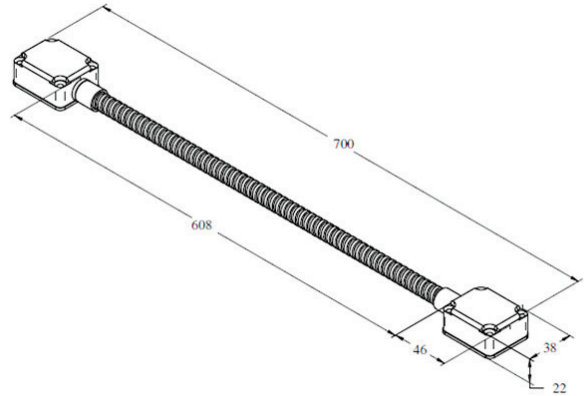


Door loop 700



CHARACTERISTICS

- 700 mm long armored with 7,1 mm I.D. flexible steel conduit
- Attractive aluminium alloy housings at each end
- Aluminium alloy housing predrilled for wires and concealed mounting screws
- Specific for transferring electrical current between door and frame

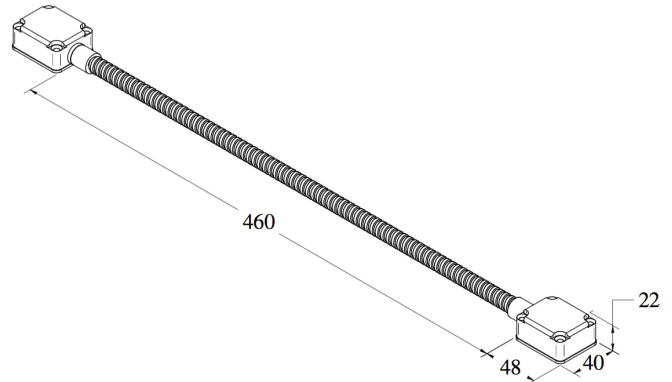
TECHNICAL SPECIFICATIONS

- Mounting: surface mounted
- Material (terminal box): aluminum
- Material (flexible hose): stainless steel
- Maximal door opening angle: 180°
- Internal diameter: 7,1 mm
- Spiral length: 600 mm
- Terminal boxes size: 46 x 38 x 22 mm
- Weight: 0,16 kg

ORDER INFORMATION

- AC230001 - Door loop 700

Door loop 550



CHARACTERISTICS

- 550 mm long armored with 7,1 mm I.D. flexible steel conduit
- Attractive aluminium alloy housings at each end
- Aluminium alloy housing predrilled for wires and concealed mounting screws
- Specify for transferring electrical current between door and frame

TECHNICAL SPECIFICATIONS

- Mounting: surface mounted
- Material (terminal box): aluminum
- Material (flexible hose): stainless steel
- Maximal door opening angle: 180°
- Internal diameter: 7,1 mm
- Spiral length: 600 mm
- Terminal boxes size: 46 x 38 x 22 mm
- Weight: 0,16 kg

ORDER INFORMATION

- AC230000 - Door loop 550