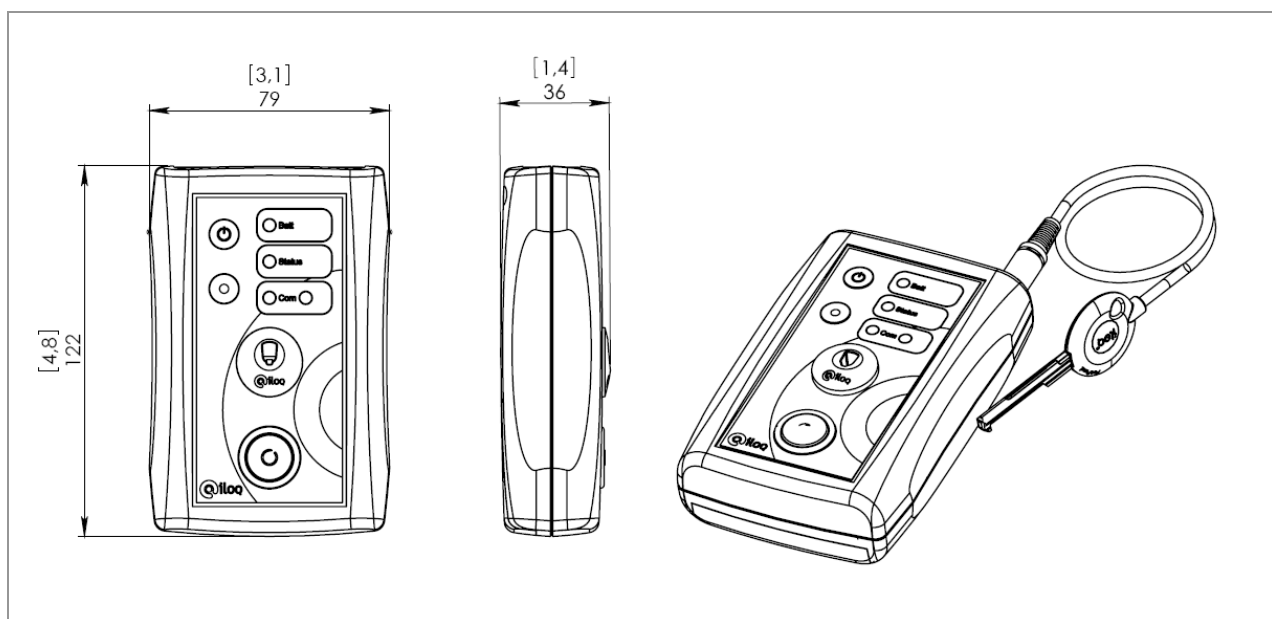


iLOQ P10S.10 (P10S.20) PROGRAMMING DEVICE



Features

The patented, award winning iLOQ S10 locking system offers advanced security and convenient access management for master-key locking environments.

The physical programming of iLOQ locks and keys is done with the iLOQ P10S programming device. The access groups of the iLOQ locks and keys defined by the system administrator can be programmed into the locks and keys using a mobile phone or computer and the iLOQ P10S programming device. The programming of locks can be conducted at the installation site and programming of the key at handover to the user. iLOQ P10S programming device is required for downloading the audit trail of lock events stored in the locks as well as for updating access groups and the blacklist of eliminated keys in the lock cylinders.

The P10S features on-line and off-line operations. When the P10S is on-line connected to the iLOQ S10 Management software the locking system login authentication are performed using the iLOQ P10S.3 (iButton® DS1963) administration token, which enables highest security defining programming authorization levels of the users. A big amount of the lock and the key programming tasks can be loaded to the P10S for off-line operations. Off-line operations are recorded to the P10S and the feedback information is transferred to the iLOQ S10 Management software when the device is reconnected.

iLOQ P10S.10 (P10S.20) programming device in brief

- Device for the iLOQ lock and the iLOQ K10S Key programming
- Operations secured using powerful encryption methods, SHA-1
- USB port for iLOQ S10 Management software
- Bluetooth interface (P10S.20) for iLOQ S10 Management software or iLOQ S10 Mobile Client Software
- On-line and off-line operations

Technical Data

1. Interfaces	Mini USB for PC connection Jack for the lock programming cable Keyhole for the key programming iButton® socket for administration key token Bluetooth interface, optional (P10S.20)
2. Signal lights	3-state LEDs for: power interface, status interface and communications interfaces
3. Buttons	Power on/off Audit trail pick up
4. Memory capacity	Off-line operation capacity 379 lock / key programming tasks Audit trail of one lock is equivalent to 13 programming tasks
5. Power supply	2x 1,5 AA batteries or 1,2V accumulators
6. Cables	USB Cable iLOQ lock programming cable
7. Operating temperature range	-10..+50 °C
8. Classification	CE