

## EUROPROFILE HALF-CYLINDER

### DATA SHEET

#### GENERAL

The award winning iLOQ S10 locking system offers advanced security and convenient access management for master-key locking environments. The unique, patented, self-powered iLOQ D10S lock cylinder is powered by harvesting electricity from inserting of the iLOQ K10S key. Being self-powered, the iLOQ D10S cylinder eliminates work, costs, wastes and harms associated with battery powered or cabled solutions. As no batteries and no electric wiring are required, the cylinders and keys are easy to install and maintain, and it is an environmentally friendly "green" solution. The communication between the cylinder and the key is strongly encrypted using standardized powerful SHA-1 encryption methods. The mechanically identical shape and modular structure of the iLOQ D10S cylinders enable flexible stocking and fast delivery. The iLOQ D10S lock cylinders are compatible with DIN 18252 Europrofile cylinder standards enabling easy installation to existing Europrofile cylinder environments.

The iLOQ D10S.1xx cylinder body length is 30 mm and it can be easily extended in 5 mm resolution up to 100 mm with extension pieces between the cylinder body and the cam module. The patented modular extension solution enables flexible stocking and easy length modifications on an installation site.

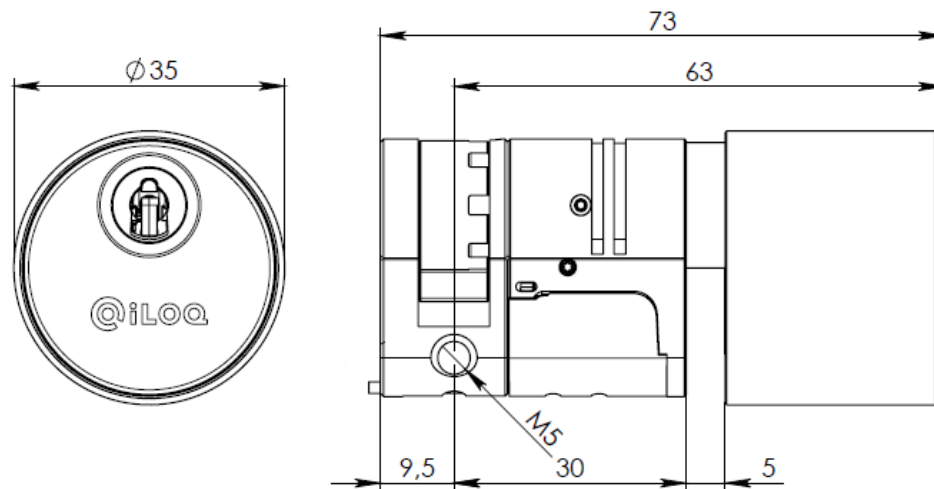
The half cylinder D10S.1xx is intended for mechanical key switch -installations. The locking cam can be adjusted in 8 different fixed positions to ensure conformity to the different key switches.

#### D10S.1XX EUROPROFILE CYLINDER FEATURES IN BRIEF

- Programmable self-powered electro mechanic lock cylinder
- Secured using powerful challenge response authentication (SHA-1)
- Compatible with DIN 18252 Europrofile cylinder standard
- Modular construction allows easy configuration for cylinder length adjustment. Length extensions available in 5 mm steps up to 70 mm.
- Adjustable fixed cam position
- Programmed using the iLOQ P10S Programmer
- iLOQ 2-wire interface for online connection for remote programming
- External input for controlling conditional access group
- Internal real time clock, activated by optional battery (A00.14)
- Event log
  - » Time stamp with optional real time clock battery
- Blacklist for individual lost keys
- Access group list for key accesses (access rights)
- Pre-blacklisting of lost key by a key
- Firmware updateable
- Made in EU

## EUROPROFILE HALF-CYLINDER

### DATA SHEET



### PRODUCT VERSIONS

D10S.100.SB

Half-cylinder

D10S.110.SB

Half-cylinder with real time clock

Note! Real time clock, network interface and external input are as an option in all D10S cylinders

### MEMORY CAPACITY

Amount of standard and/or conditional access right groups 128

Amount of access rights with version-data 1 + 126 standard / conditional

Amount of blacklisted lost keys 128\*

Pre-blacklist for replaced keys 256

Event log 512

\* Shared memory with access rights.

### TECHNICAL DATA

Cylinder length 30 mm, with extensions up to 100 mm

Temperature range - 20 °C ... +70 °C

Real time clock ± 2 min per month at 25°C, 10 years operation time

Ingress protection rating IP55\*

Finish Brushed stainless steel

\* Especially in industrial areas or near the sea, deposits can occur in the form of rust and attack the material. This equipment should be cleaned and maintained frequently. Use optional dust cover in harsh environments.