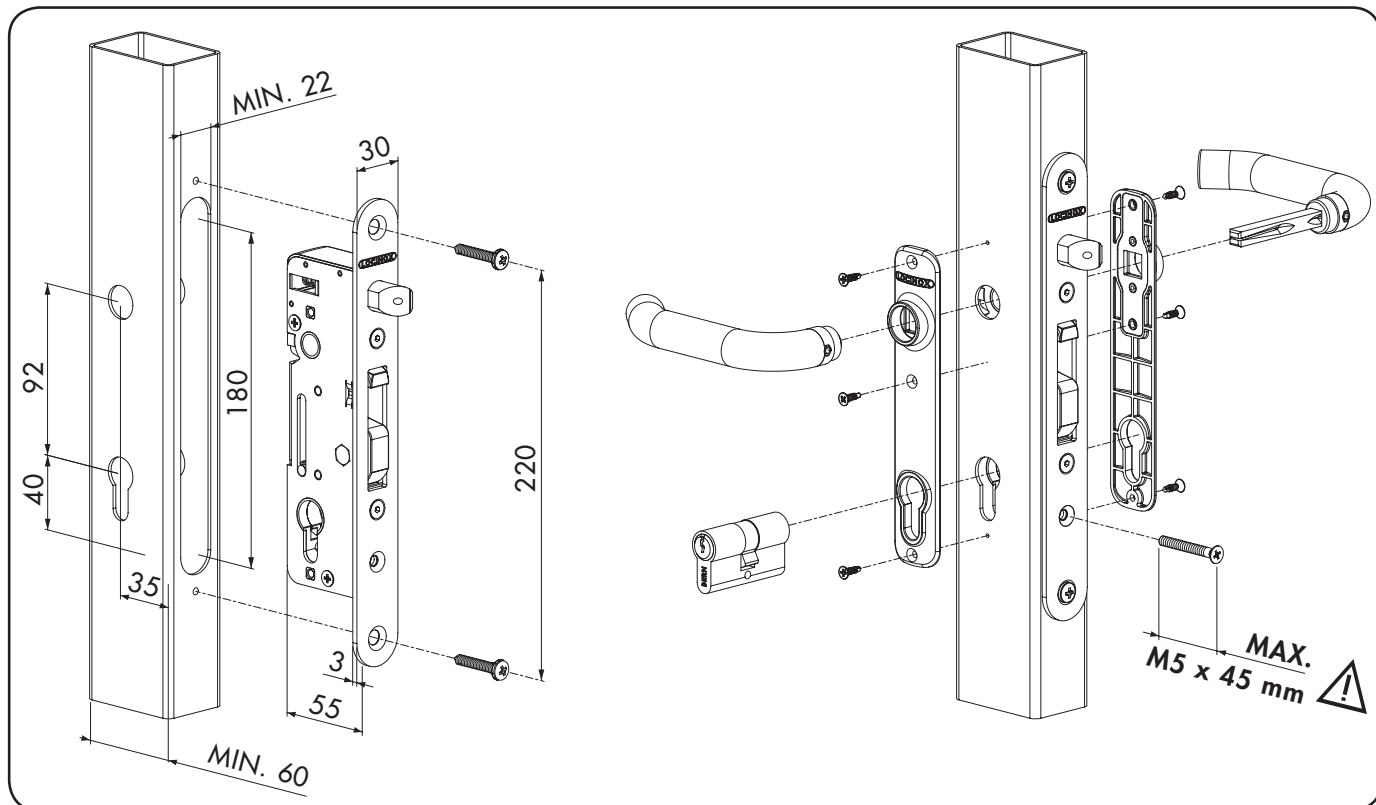
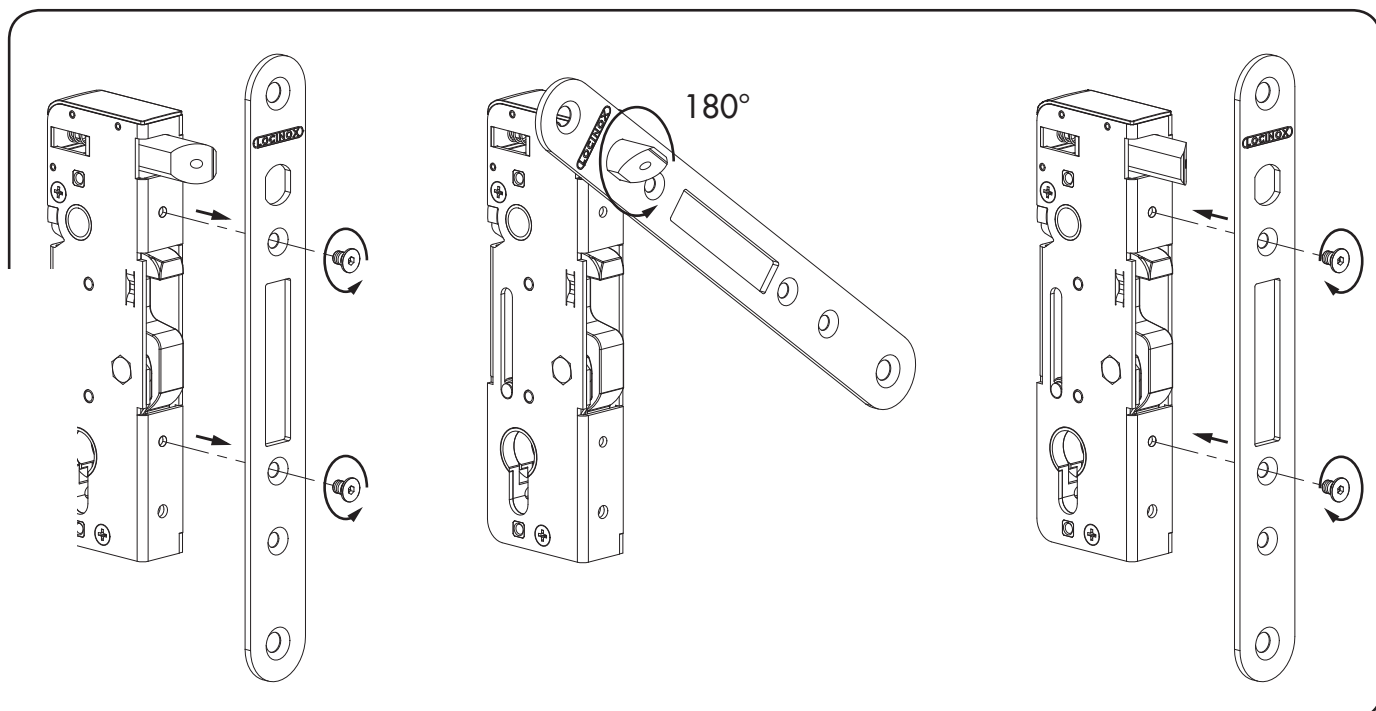


CODE: H-METAL

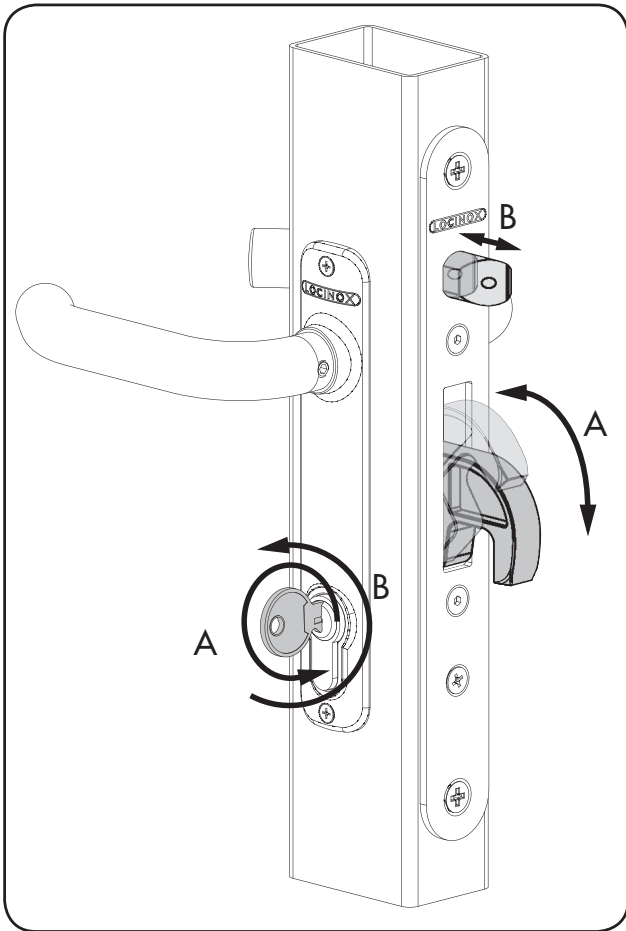
① Explosion & Dimensions



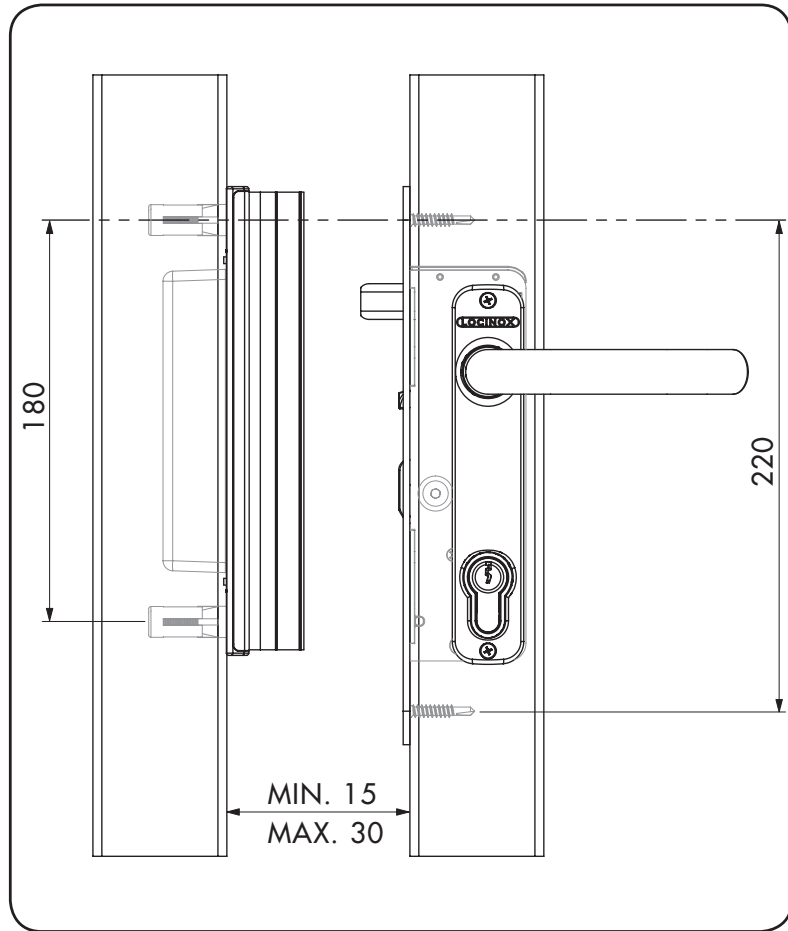
② Left / right changing



③ Key operated (B) & Throw (A)



④ H-METAL lock & keep



⑤ SHKM QF: H-METAL keep - Dimensions & profile adjustment

