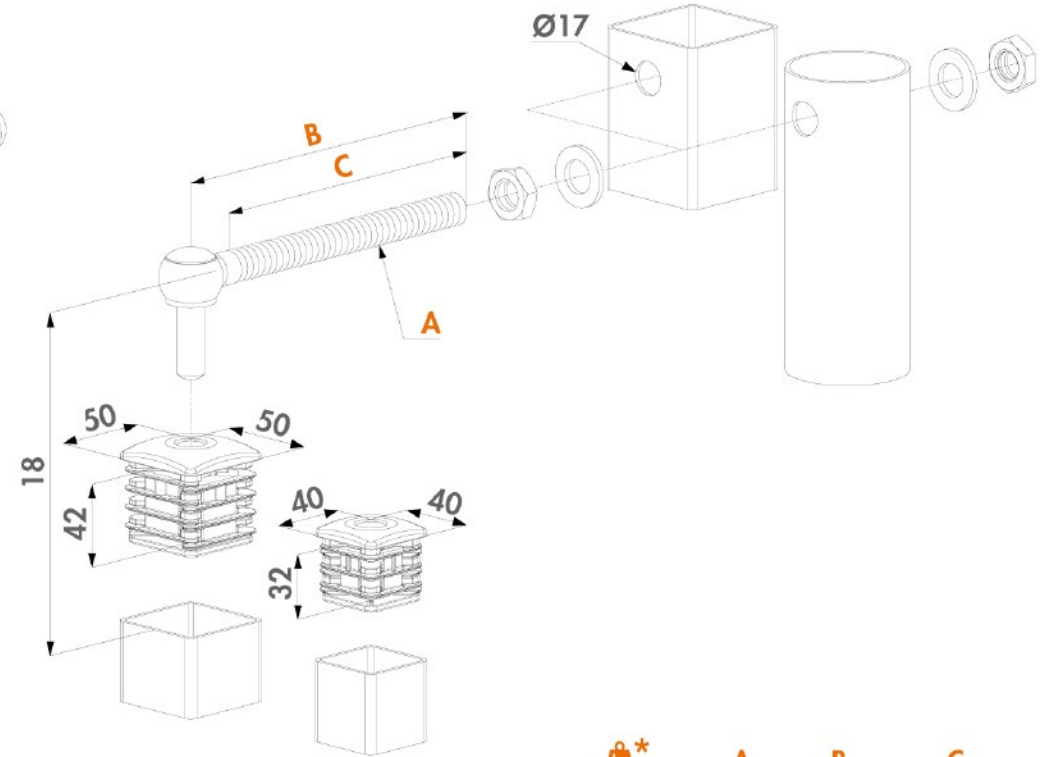


		A	B	C
GBM12-DP-40-130	75 kg	M12	130	110
GBM12-DP-40-150	75 kg	M12	150	130



		A	B	C
GBM16-DP-40-160	100 kg	M16	160	135
GBM16-DP-40-180	100 kg	M16	180	155

* Only valid when:

$$\frac{W}{A} \leq 2$$

A = Distance between the hinges
W = Width of the gate
Safety factor: 4,5

* Only valid when:

$$\frac{W}{A} \leq 2$$

A = Distance between the hinges
W = Width of the gate
Safety factor: 4,5