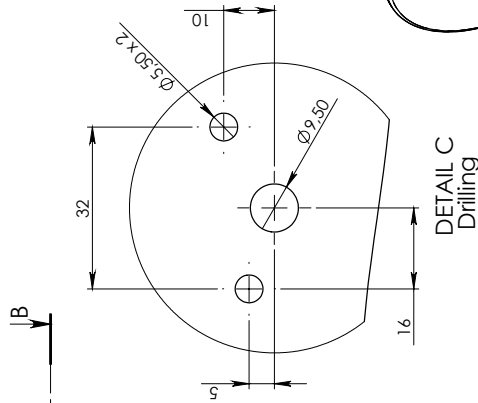
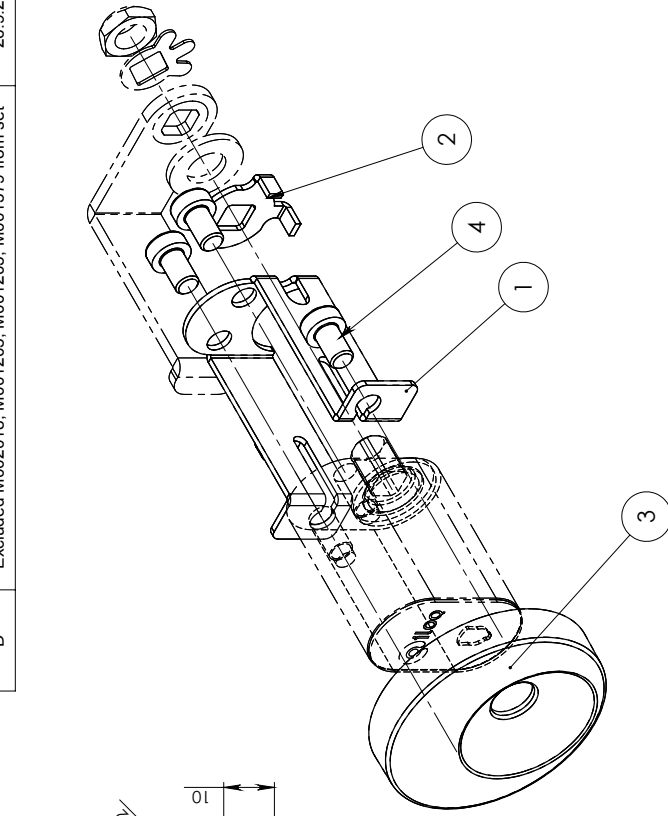
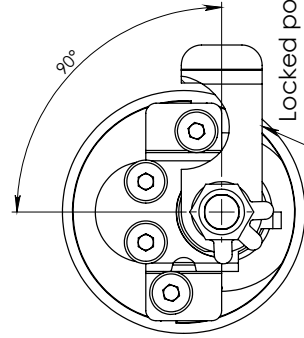


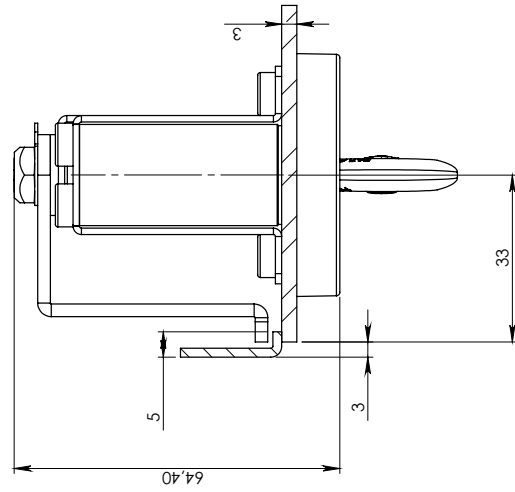
Rev	Description	Date	Designer
B	Update escutcheon and bracket	22.2.2010	avoma
C	Update parts 7 and 8	7.4.2010	avoma
D	Excluded M002018, M001205, M001379 from set	26.9.2012	toivsa



Open position



Locked position



Cam step 90°

Item	Dwg no.	Revision	Description	Standard	Dimension	Without lock/QTY.
4	M002019	A	Screw	DIN 7984	M5x8	4
3	M001384	D	Cam lock escutcheon with protective lid	-	Ø48 L=8.50	1
2	M001385	A	Limiter plate	-	PL1,25.17x	1
1	M001381	C	Camlock bracket	-	PL1,25.43x40	1

Design: MAr 26.5.2009	Scale: 1:1	Material: -	Surface: -	Color: -	Texture: -	Mass: -
Drawn: MAr 26.5.2009	Material: -	Finish: -	Color: -	Texture: -	Mass: -	kg
Checked: -	Material: -	Finish: -	Color: -	Texture: -	Mass: -	kg
Approved: -	Material: -	Finish: -	Color: -	Texture: -	Mass: -	kg

Part ref:	Camlock installation set	
Product:	G1022	
Cam lock	Iloq	
Prod. cat name	www.ilq.com	
Sheet: 1 / 2	Drawing number:	M001376
	Rev.:	D