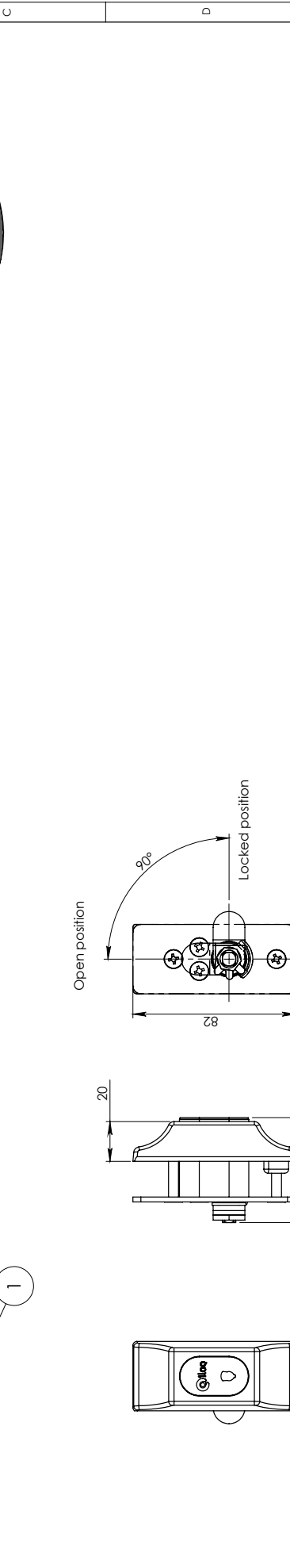
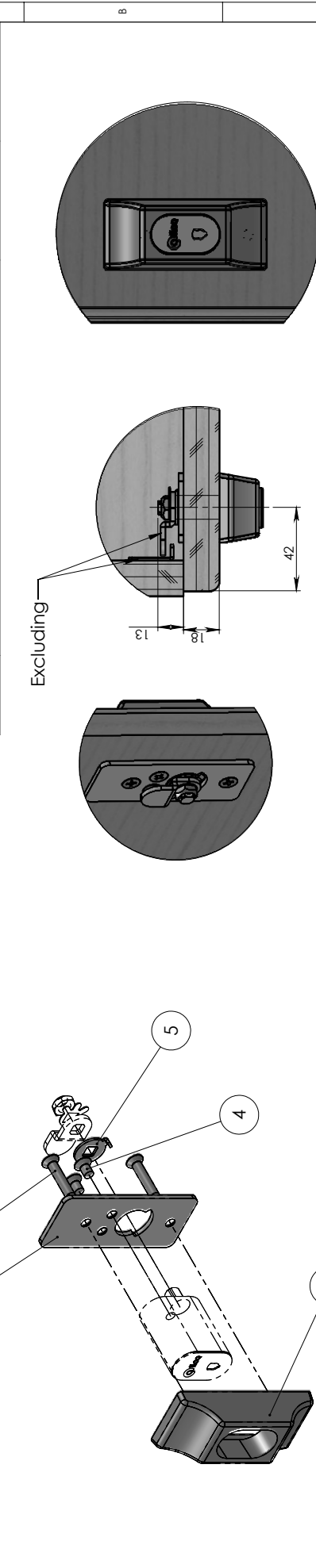


Rev	Description	Date	Designer
C	Part E10.AC1 changed to M000779	30.9.2010	tjunt
D	Part 4, changed M001293 -> M002423	23.2.2011	arvoma
E	Excluded C:10.3.1, M001296, M001203, M001205, M001295 from set	26.9.2012	loivsa



Item	Dwg no.	Revision	Description 1	Standard	Dimension	BOM/QTY.
5	M002423	A	Limiter plate	-	PL1,25 17x0,40	1
4	M000524	C	Screw	DIN 965 M5x8 PZ2	-	2
3	M001650	A	Screw	DIN 965	M5x25	2
2	M001294	B	Mounting plate	-	PL2,50 35x82	1
1	M000779	B	Escutcheon 20mm, E10.AC1.ZC	Roca part nro.	928071	1

Design: MAA 2.4.2009	Drawn: MAA 2.4.2009	Checked: -	Appr'd: -	Part ref: -	Product: -	Prod. catname: -	Sheet: 1 / 1
Scale: mm	Material: -	Finish: -	Color: -	Feature: -	Size: A3	Unit: kg	
Tolerance: Gerda tol. acc. ISO 2768-2 Geometrical symbols acc. ISO 101 Surface rough. symbols acc. ISO 3022							

ilqo
www.ilqo.com

Cam lock installation set
G1020.ZC

All rights reserved.
Copyright (C) 2006
Ilqo Oy
http://www.ilqo.com

Drawing number:
M001303

Rev. **E**