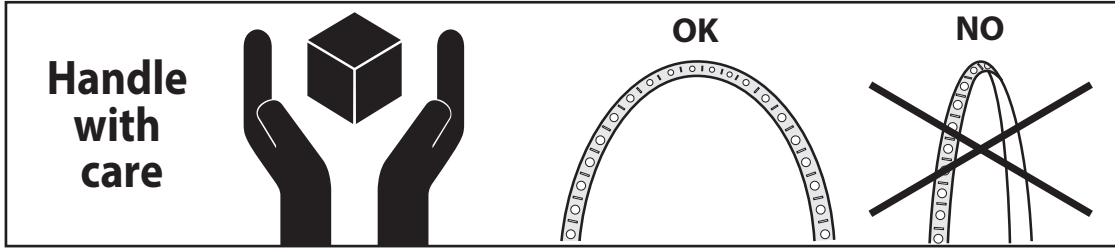
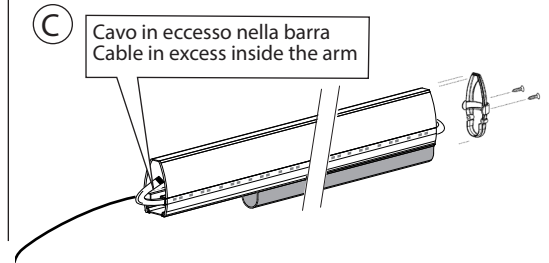
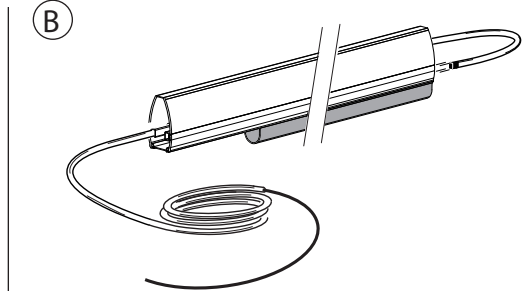
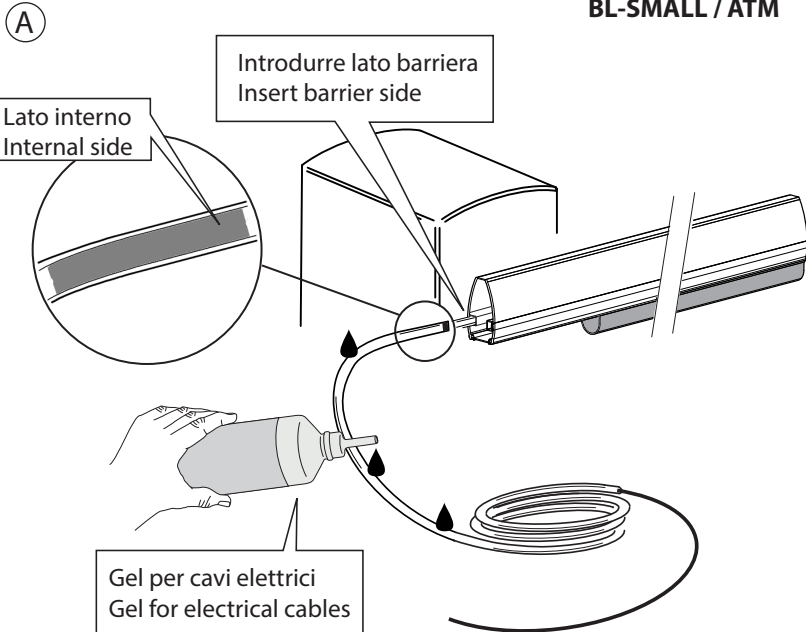


LIGHT R/G - LIGHT R/G 2W

Luci Rosso/Verde per barre BL-SMALL, BL-LARGE, ATM e ATML
Light bars Red/Green for BL-SMALL, BL-LARGE, ATM and ATML

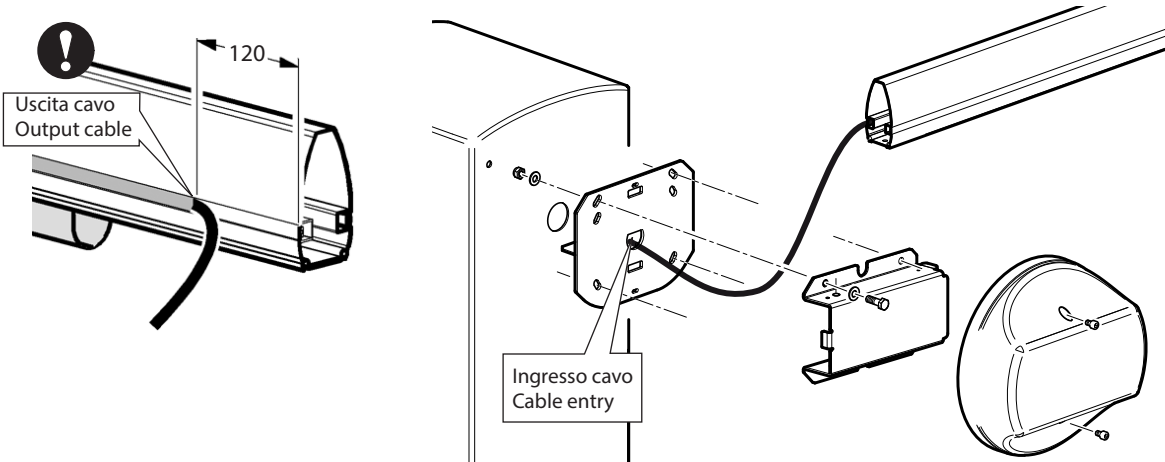


PREPARAZIONE DELLA BARRA / BAR PREPARATION

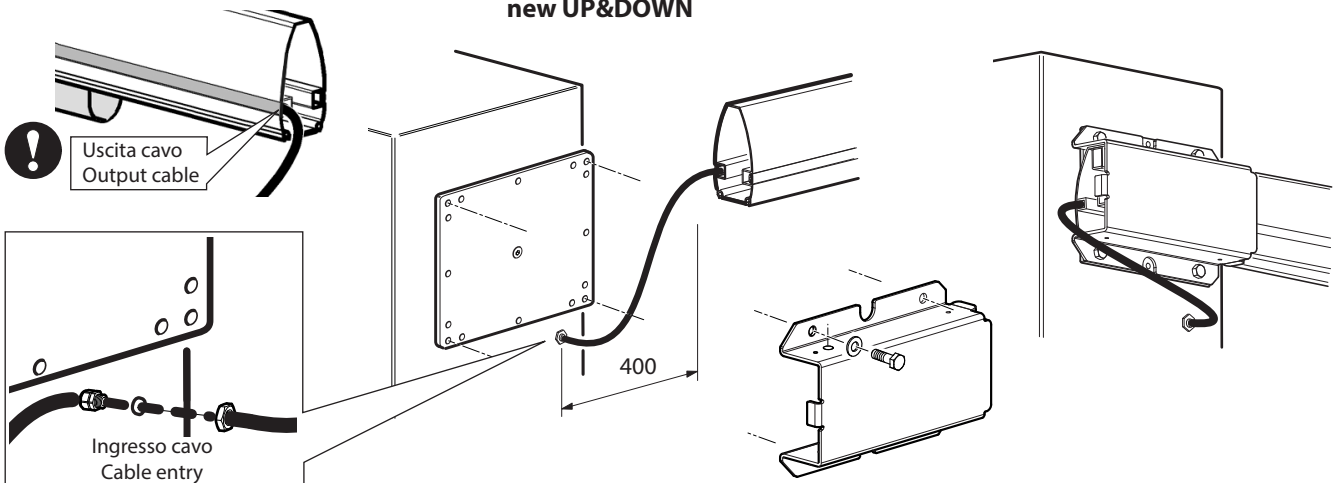


INSTALLAZIONE DELLA BARRA / BAR INSTALLATION

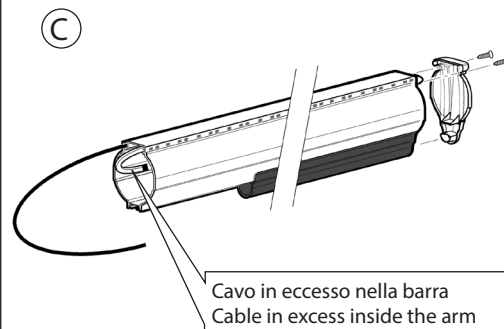
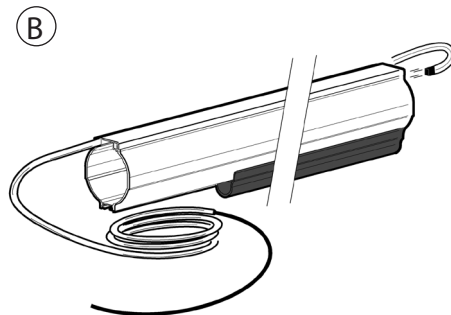
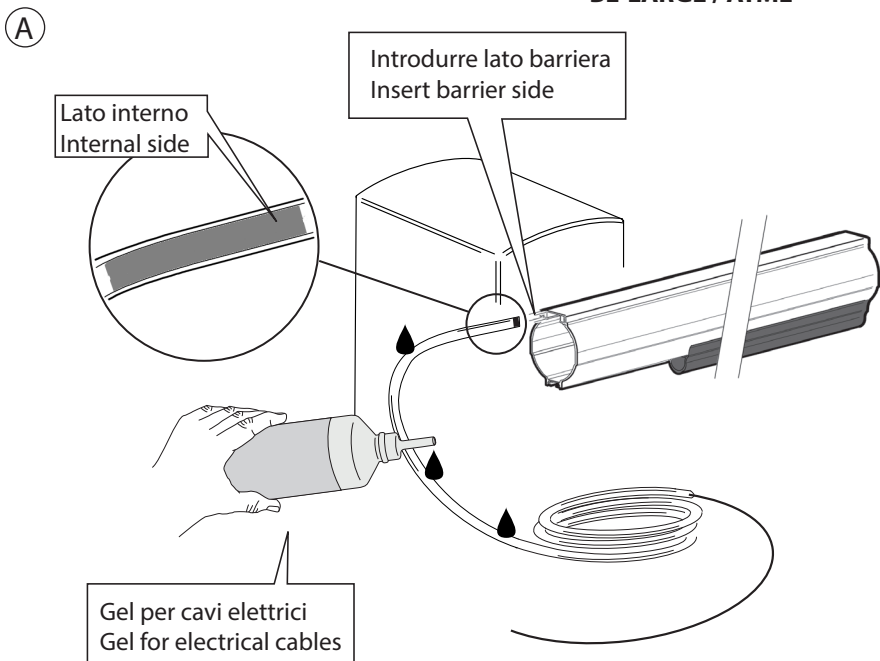
NIGHT&DAY.3 / NIGHT&DAY 35 Xtreme / MAXIMA 30 / MAXIMA ULTRA 35



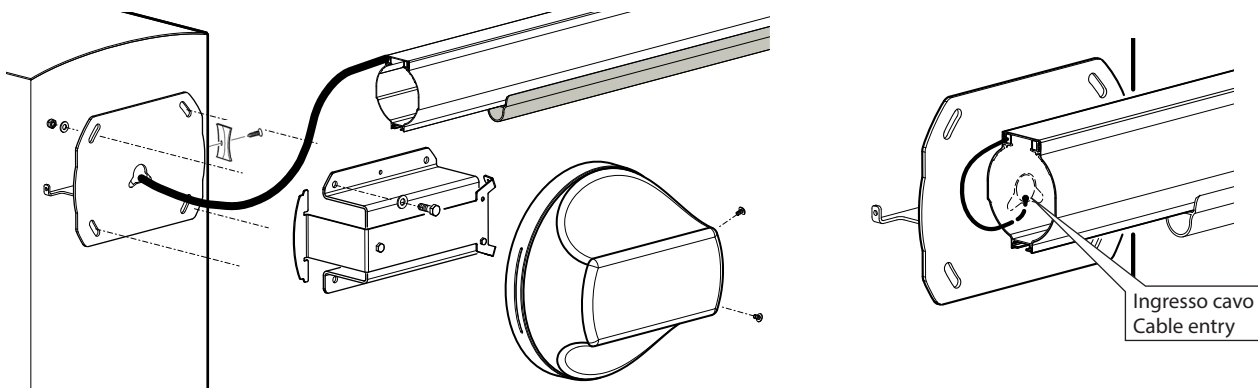
new UP&DOWN



BL-LARGE / ATML

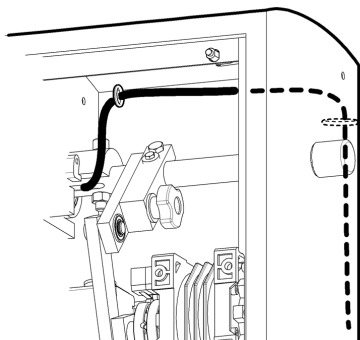


NIGHT&DAY.6/8 / NIGHT&DAY 68 Xtreme / MAXIMA 60/80 / MAXIMA ULTRA 68



POSIZIONARE IL CAVO NELLE BARRIERE • PLACING THE CABLE IN THE BARRIERS

BARRA DESTRA
RIGHT ARM



BARRA SINISTRA
LEFT ARM

