

Metal waterproof stand-alone access controller PIN only

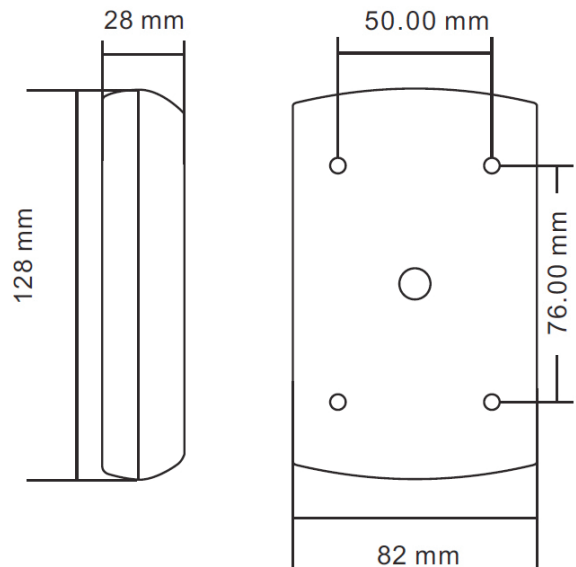


CHARACTERISTICS

- Metal structure, waterproof, fully potted, confirms to IP65
- Anti-explosion
- Standalone keypad
- PIN code length: 4-6 digits
- Low power consumption
- Pulse mode, toggle mode
- Supports: door ajar, forced, shunt, monitor, and secure mode
- Antistatic Interference: 15KV
- The indicator light can be set to ON or OFF
- Relay output load can be 3A max

TECHNICAL SPECIFICATIONS

- Dimensions: 128 x 82 x 28 mm
- Power supply: 12 VDC
- User Capacity: 1 master code , 200 PIN codes
- Door Relay Time: 1 – 99 seconds
- Stand-by current: ≤ 20 mA
- Operating temperature: $-40^{\circ}\text{C} \sim +60^{\circ}\text{C}$ ($-40^{\circ}\text{F} \sim 140^{\circ}\text{F}$)
- Operating humidity: 0 – 95 %
- Lock output load: 1A
- Alarm output load: 3A



ORDER INFORMATION

- PA240000 - Metal waterproof stand-alone access controller PIN only

Metal waterproof stand-alone access controller with RFID

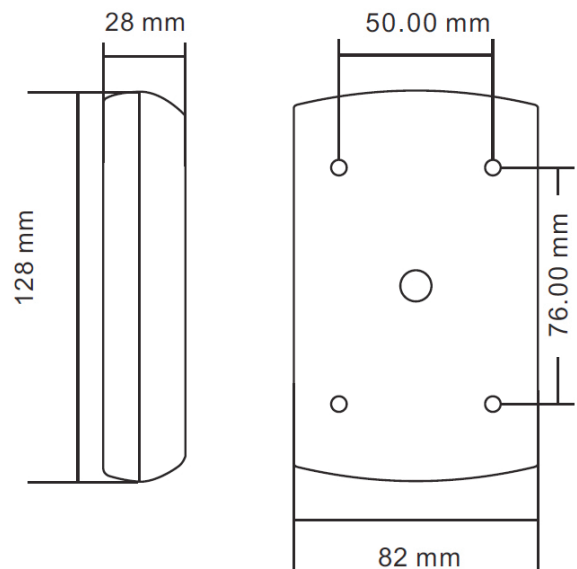


CHARACTERISTICS

- Metal structure, waterproof, fully potted, confirms to IP65
- Anti-explosion
- Support 125KHz EM card
- User capacity 2500, each user owns a card and a 4-6 digits PIN
- Master card, convenient to add or delete user
- Low power consumption
- Pulse mode, toggle mode
- Supports: door ajar, forced, shunt, monitor, and secure mode
- Antistatic Interference: 15KV
- Relay output load can be 3A max

TECHNICAL SPECIFICATIONS

- Dimensions: 128 x 82 x 28 mm
- Power supply: 12 VDC
- Response time: 0.1 second
- User Capacity: 1 master code , 1000 Users
- Door Relay Time: 1 – 99 seconds
- Stand-by current: ≤ 20 mA
- Reading range: 3-6 cm
- Operating temperature: $-40^{\circ}\text{C} \sim +60^{\circ}\text{C}$ ($-40^{\circ}\text{F} \sim 140^{\circ}\text{F}$)
- Operating humidity: 0 – 95 %
- Lock output load: 1A
- Alarm output load: 3A



ORDER INFORMATION

- PA240002 - Metal waterproof stand-alone access controller with RFID

Metal waterproof stand-alone access controller

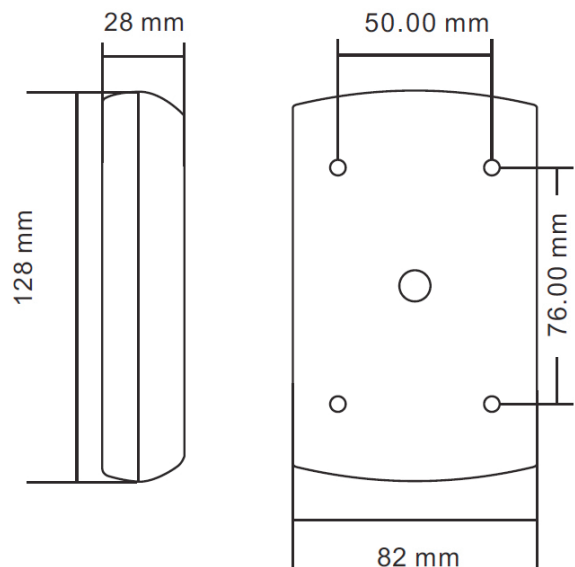


CHARACTERISTICS

- Made from metal, anti-vandal, more secure & waterproof design
- Very low power consumption
- Backlit keypad
- One or two relay operation
- 3 access modes: Card, PIN , Card + PIN
- Pulse / toggle mode
- High speed search: filled with 1200 users, the search time < 0.15 sec.
- Application for high-security places - warehouses, banks or prisons
- With anti-demolition alarm function, anti-static interference 15KV
- Different language options: EM, EM-HID or Mifare

TECHNICAL SPECIFICATIONS

- Power supply: 12-18V AC / 12-24V DC
- Card type: 13.56MHz IC/CPU cards, PIN length : 4 - 8 digits
- One or two relay, adjustable door relay time: 1 - 99 seconds
- Static current: $\leq 35\text{mA}$
- Wiegand interface: wiegand 26 or 34 output
- Card reading range: 3 - 6 cm
- Reader induction time: $\leq 0,1$ second
- Lock output load: $\leq 1\text{A}$
- Alarm output load: $\leq 3\text{A}$
- Antistatic: 15KV
- Wiring length: 90-100 cm
- Signal light: red, green, blue, yellow LED light display
- Operating temperature: $-40^{\circ}\text{C} \sim 60^{\circ}\text{C}$ ($-40^{\circ}\text{F} \sim 140^{\circ}\text{F}$)
- Operating humidity : 0-95% (non-condensing)
- Dimensions: 128 mm x 82 mm x 28 mm (L x W x H)
- Language: EM, EM & HID, Mifare
- Operation: stand-alone, stand-alone & Wiegand
- Protection: IP65, fully potted with anti-demolition, alarm function



ORDER INFORMATION

- PA240106 - Metal waterproof stand-alone access controller - two relay, EM, stand-alone
- PA240107 - Metal waterproof stand-alone access controller - one relay, EM, stand-alone & Wiegand
- PA240109 - Metal waterproof stand-alone access controller - one relay, Mifare, stand-alone