



Checkout exit

CK_EN_2017_R3



Available with:



standard tubular arm



standard extensible tubular arm



BIG standard tubular arm



BIG extensible tubular arm

CHROME PLATED STEEL

Description

Designed to manage checkout lines, these units are extremely useful and effective in blocking attempted exit by individuals who do not want to “pay the bill”.

We have created our product by paying attention to this aspect and making sure we did so correctly, creating something that was conceptually identical to what was already offered on the market, but that would identify it as an Italian product.

Sturdy, equipped with an audible alarm (optional), and supplemented with wings of different sizes and designs, ECo checkout exits can be installed on the floor, directly on the side of checkout counters, on the wall, or between the bars of barriers that mark off the checkout line.

The unit is equipped with a key-operated lock and an emergency system.

Areas of use

■ Hypermarkets ■ Supermarkets ■ Discount stores ■ DIY stores ■ Garden Centers

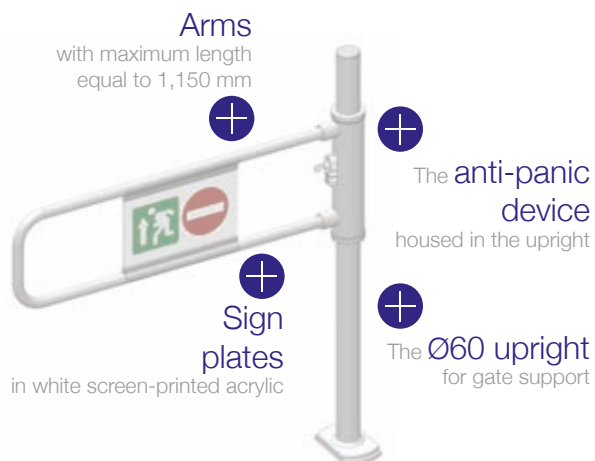


technical specifications

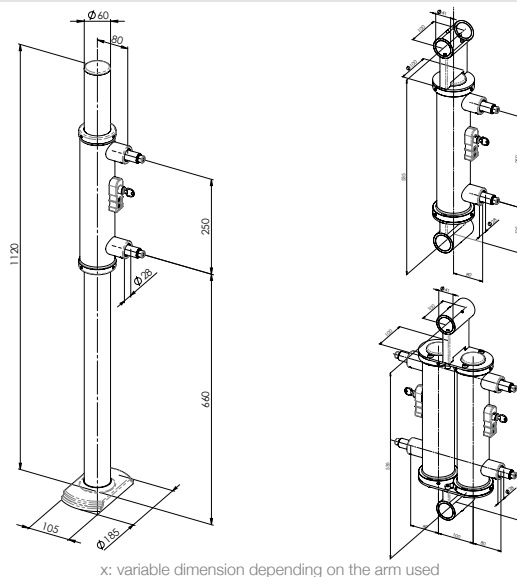
Installation of the gate DOES NOT require connection to mains.

Dimensions indicated in mm

Main components



Mechanism dimensions



Mounting versions

Safety devices



neri oddo

Checkout - Wall anchoring



Checkout - Coupling between the bars - Single

neri oddo

Anti-panic: When the mechanism is locked a fully mechanical anti-panic device allows for arm opening with pushing action $\approx 40 \text{ N}\cdot\text{m}$ on the arm itself (UNI EN 1125:2008).

technical specifications

Checkout exit

Features

Drive	pushing mechanism
Anti-panic device	present
Weight	10 kg
IP Degree of protection	IP 31

Accessories

Standard 700 mm, 900 mm or 1,150 mm tubular arm
Standard extensible tubular arm: 700 mm - 1,100 mm
BIG standard tubular arm
BIG extensible tubular arm: 700 mm - 1,100 mm
Sign plate (No_Entry/No_Entry)
Sign plate (Emergency_Exit - No_Entry/No_Entry)
Battery-powered siren kit
90° adapter for gate arm (2x)

Note: Arms are available both standard and extensible. It is important to consider that the return spring load and therefore speed is directly proportional to the length and to the size of the arm itself: **THE LONGER** the arm is, **THE MORE** the spring needs to be loaded and vice-versa. Related instructions are available in the manual.



Warning: It is the client's responsibility to identify and evaluate the use of the product as an emergency exit in compliance with the current norms and regulations which can be applied.

Materials

Upright:	mirror-polished chrome plated steel
Arm:	mirror-polished chrome plated steel
Sign plate:	white screen-printed acrylic

Operation

The product is supplied with a bi-directional opening mechanism.

The rotation is possible after the key has been unlocked and its plastic device has been lifted upwards.

When the mechanism is locked, a fully mechanical anti-panic device allows for arm opening with pushing action $\approx 40 \text{ N}\cdot\text{m}$ on the arm itself (**UNI EN 1125:2008**).

Important

All horizontal conductors required for cable passage and positioned under bases of gates and of typical system components for access control must be installed at least 150 mm deep. Any chased metal ducts must be positioned in axis with the ends of the gate.

The customer is responsible for ensuring that ECo brand products are managed and maintained in accordance with the layout structure, connections and characteristics defined during installation.

The dimensions specified on this *data sheet* are approximate. For correct installation, we suggest you contact our customer service at the following address: service@e-co.us

ECO

Zwei S.r.l.
via per Rogeno, 19
23845 Costa Masnaga (LC)
Tel. +39.031.879125
Fax. +39.031.8570484

www.e-co.us

info @e-co.us
sales @e-co.us
service @e-co.us