

MORTICE HOOK LOCK



The **Gatemaster Mortice Hook Lock** is a unique marine grade lock that incorporates a latch and deadbolt in one single-action bolt.

- G** Fits 40mm box section
- G** Backset 20mm
- G** Latch + deadbolt in one hook
- G** Operated with key and handle
- G** All stainless steel with brass latch
- G** Tested to 1,000,000 openings!



PRODUCT DETAILS

Product code:	Description:
ML4 DC	Mortice hook lock, dual cover
ML4 FC	Mortice hook lock, full cover
Handle P	Plain lever handle
Handle O	Ornamental lever handle
Kit includes:	Mortice lock, Mortice lock keep, 3 keys, 60mm euro cylinder, pair of handles, face plate, cover plate(s)

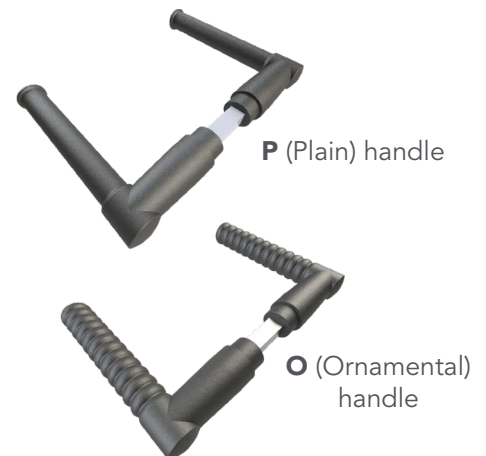
MLK - Mortice Lock Keep (included)



ML4 DC (Dual Cover) with plain handles



ML4 FC (Full Cover) with ornamental handles



SUPERLOCK BOLT ON GAPLESS KEEP



- G Simple keep that fits between the gate and the post for use with the Superlock range of locks
- G Slim profile enables a small gap between gate and post
- G Improves gate appearance – narrow profile blends in well with the gate
- G Versatile – simple and easy to fit to a wide range of applications.



PRODUCT DETAILS

Product code:	Description:
BSKG	Superlock gapless keep

Includes: Self expanding fixings for post bracket

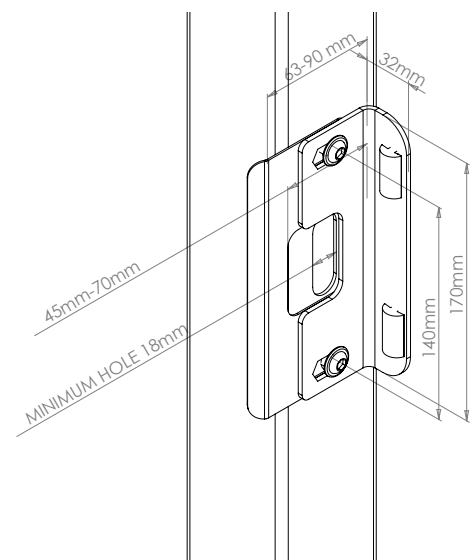


Expanding fastener



INSTALLATION

1. Drill 2 x 15mm dia. holes at 140mm centres in the gate post for 2x expanding fasteners
2. Cut a slot in the post to receive the latch, at a minimum of 18mm wide
3. Insert expanding fasteners through the post bracket into the post, adjust as necessary and tighten with 5mm allen key



All dimensions in mm