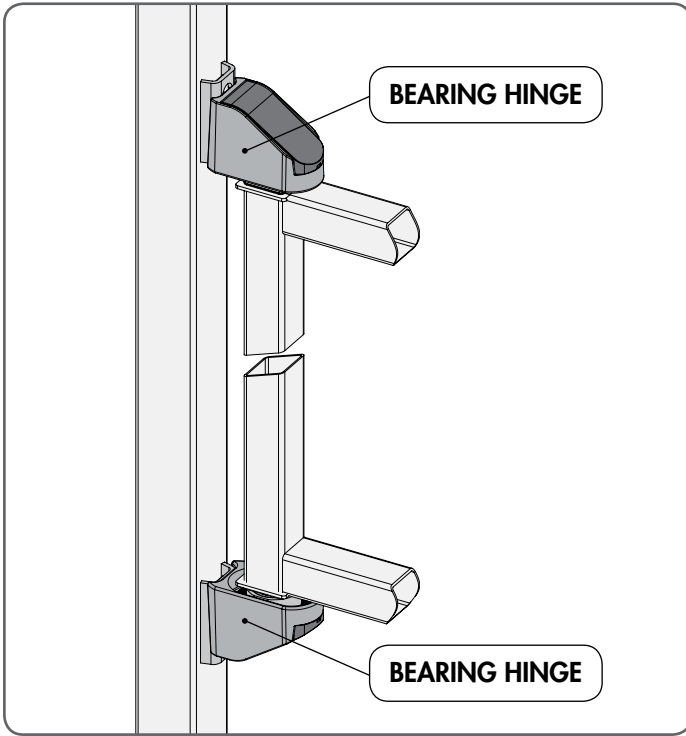
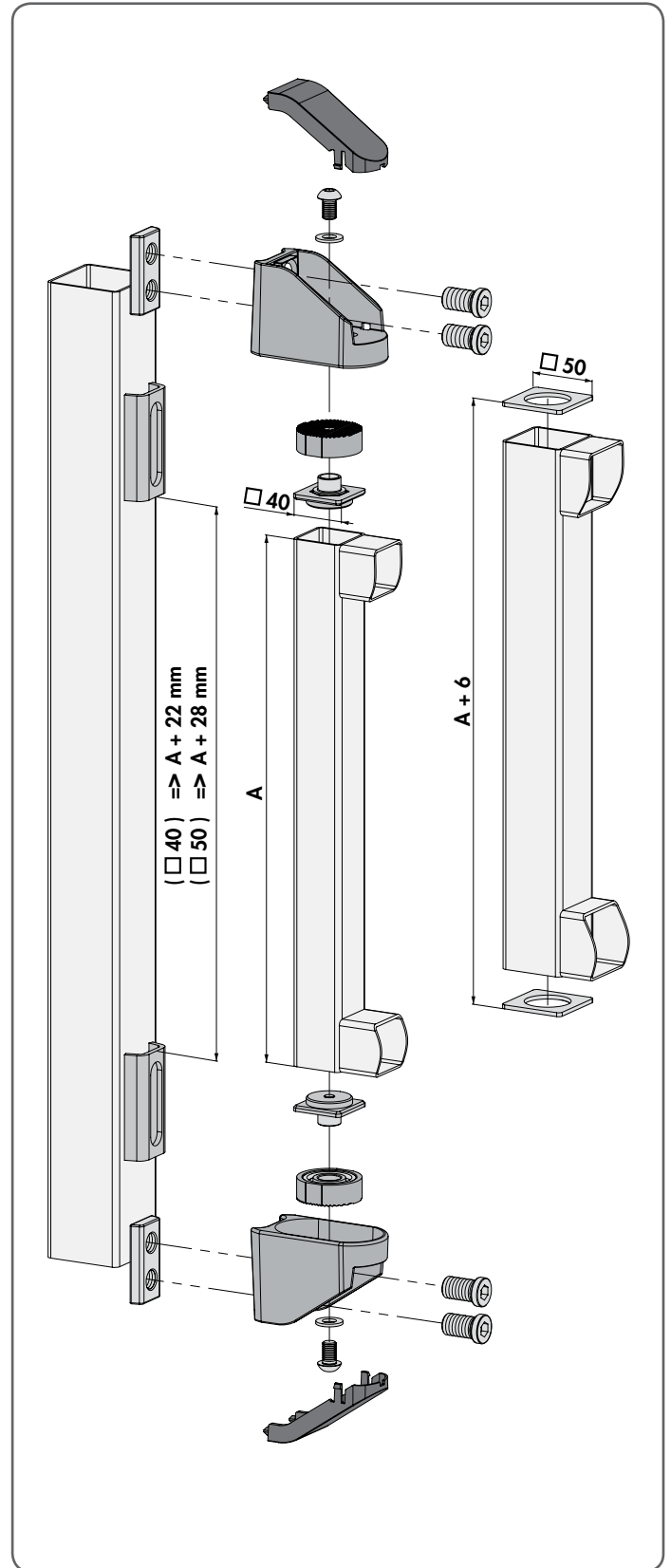


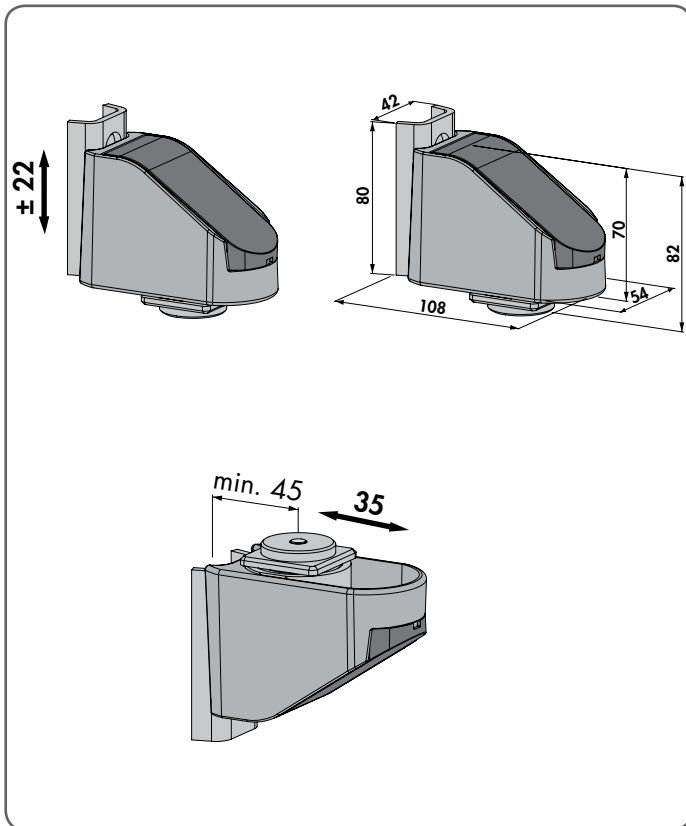
① OVERVIEW



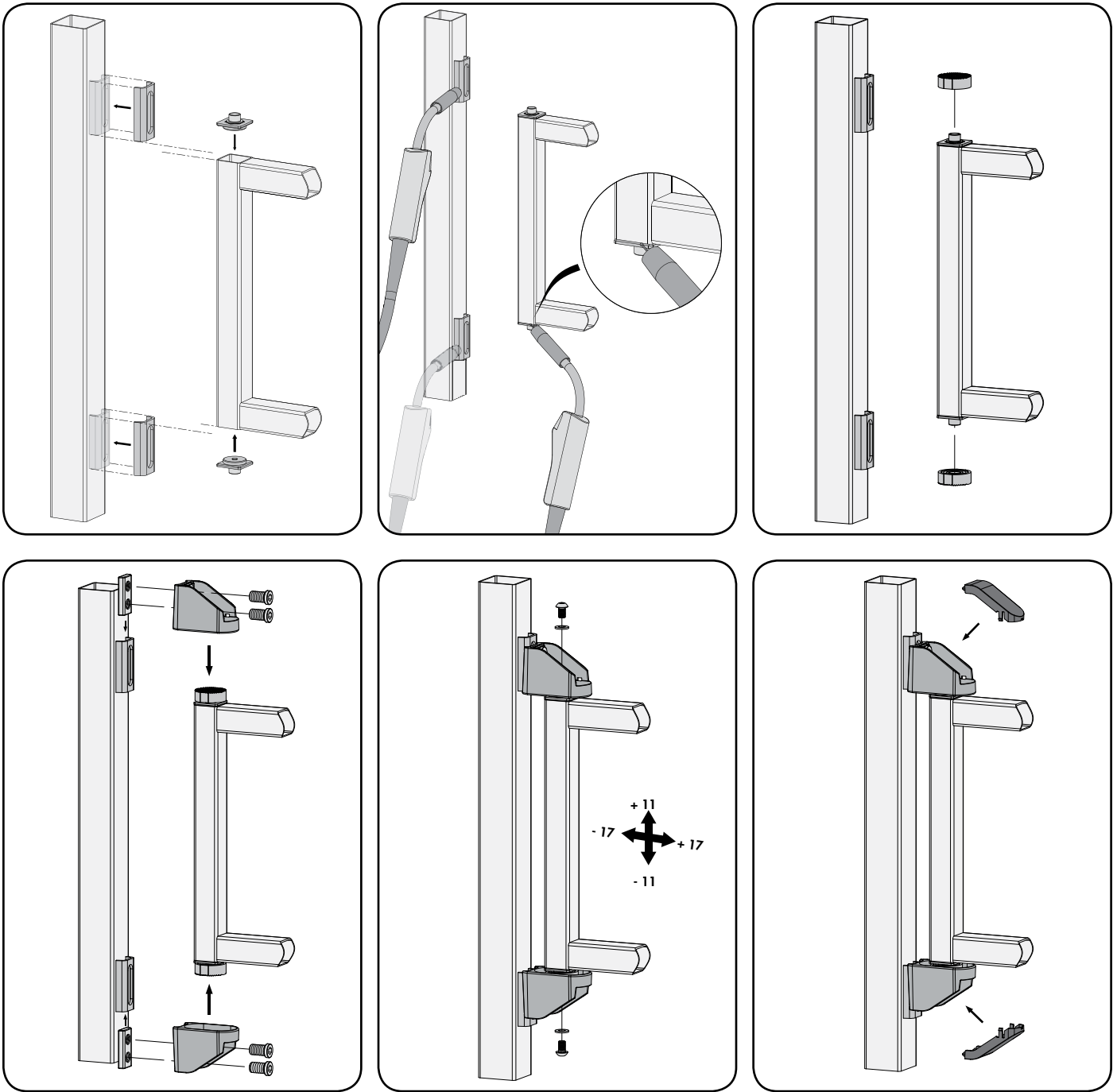
② EXPLOSION



③ FEATURES & DIMENSIONS



③ MOUNTING



④ MAX. GATE WEIGHT

Max. pull power/hinge	20000 N
Safety Factor	4

		A							
		500	750	1000	1500	2000	2500	3000	3500
L	500	898	1019	1019	1019	1019	1019	1019	1019
	750	565	898	1019	1019	1019	1019	1019	1019
	1000	398	648	898	1019	1019	1019	1019	1019
	1500	231	398	565	898	1019	1019	1019	1019
	2000	148	273	398	648	898	1019	1019	1019
	2500	98	198	298	498	698	898	1019	1019
	3000	65	148	231	398	565	731	898	1019

Distance between hinges in mm	A
Gate length in mm	L
Gate weight in kg	G