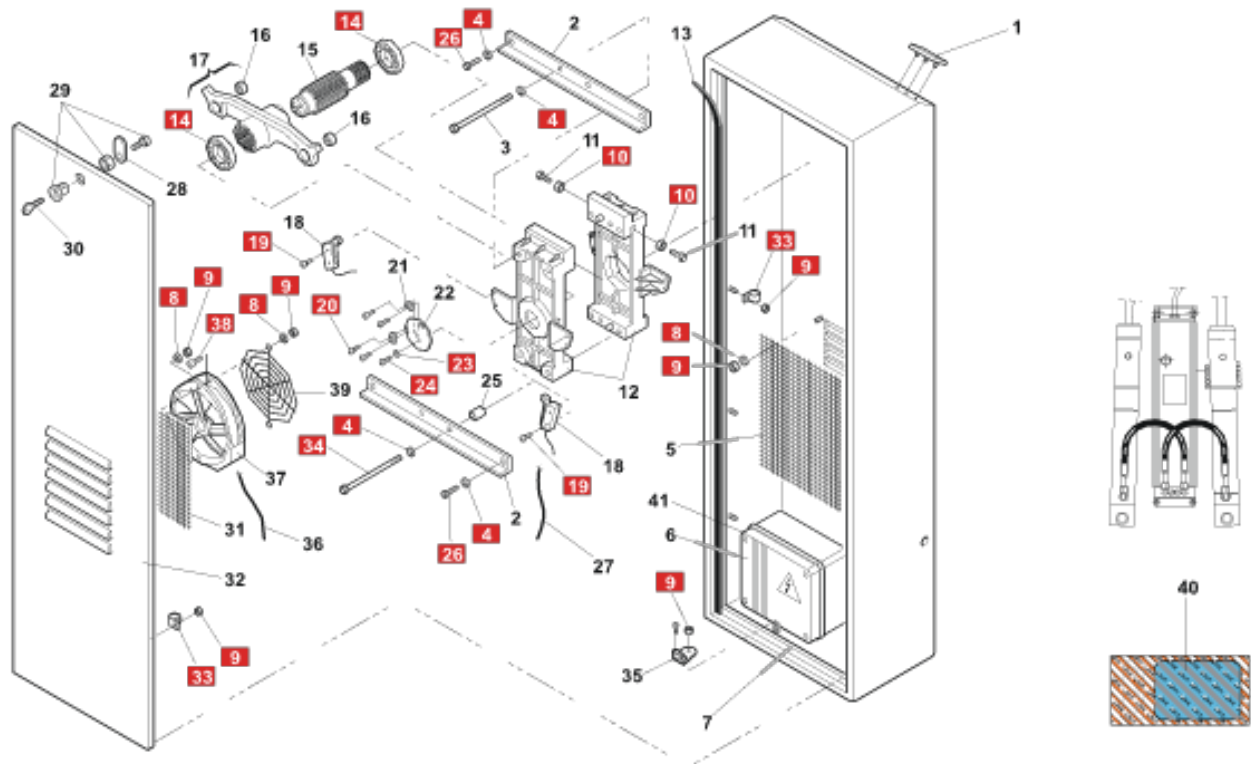


# 640 Automatische slagboomopener FAAC



7270115	1	FAAC LOGO	701137001	2	TE 10X140 5737 8G Z G
7224135	2	Drive unit fitting bracket	7770215	1	Cable clamp type
7019255	2	Yellow galvanized screw	63003065	1	620-640-642 BEAM FAN CABLE
703109	8	GROWER WASHER 10 1751 Z G	39051385	1	Skinpack package barrier without pocket
7340085	1	PROT. NET FILTER 130X280	7273015	1	C.T.B. FAN NMB 5915 PC 23TB30
2022715	1	624BLD CONTROL UNIT	701144002	2	TE 4X 16 5739 8G Z
416005	1	CASE 640 R.1	7340065	1	INTERNAL GRID FILTER
703101	8	WASHER GROWER 4 1751 Z	39051385	1	Skinpack package barrier without pocket
702003	18	NUT ES. 4 5587 6S Z	2022715	1	624BLD CONTROL UNIT
702205	2	DADO ES.10 5589 5S Z G			
7019285	2	Beam travel adjusting screw			
499460	1	DIE-CAST FLANGE UNIT BARR.LEVEL SUPPORT			
7094025	2.4	AERSTOP GASKET 10X3			
707016	2	CUSCINETTO 6007 2RS1(35-62-14)			
7180575	1	SPLINED SHAFT Z 16 640			
7073015	2	BALL JOINT INA GE 12 UK DIN 648			
416003	1	620-640 BALANCING LEVER+JUNCTION			
7580145	2	MATSUSHITA ABV161661 MICROSWITCH			
701471	4	Autoformante 3 x 16 8112 c15 z			
701002	4	CAP SCR.SOCK.HEA.4X10 5931 8GZ			
7223245	2	Beam microswitch cams			
7310345	1	FIXING DISK CAMME 620			
703103	2	GROWER WASHER 6 1751 Z			
701700	2	TBCE 6X10 ISO 7380 Z			
7260095	2	Spacer			
701143002	4	TE 10X 20 5739 8G Z G			
7510325	1	LIMIT SWITCH CABLE FOR 620/640			
7291015	1	LEVER A70 0090 620-630-640			
7120505	1	LOCK ART.3890 DRAWING			
7131005	10	KEY MOD. 3889.0913			
7340005	1	PROTECTION FILTER NET GRID 160x180			
7270655	1	COVER 640 R.1			
777018	9	FISSACAVO RICHC0 WHC-750-01			